

C09-A-107/C09-AEI-107/C09-BM -107/
* C09-C-107/ C09-CH-107/ C09-CHOT-107/
C09-CHPC-107/C09- CHPP-107/C09-CHST-107/
C09-CM-107/C09-EC-107/C09-EE-107/C09-IT-107/
C09-M-107/C09-MET-107/C09-MNG-107/
C09-PET -107/C09-RAC -107/C09-TT-**107**

3005

BOARD DIPLOMA EXAMINATION, (C-09)
MARCH/APRIL-2019
FIRST YEAR COMMON EXAMINATION
ENGINEERING DRAWING

Time: 3Hours]

[Max.Marks:60

PART-A

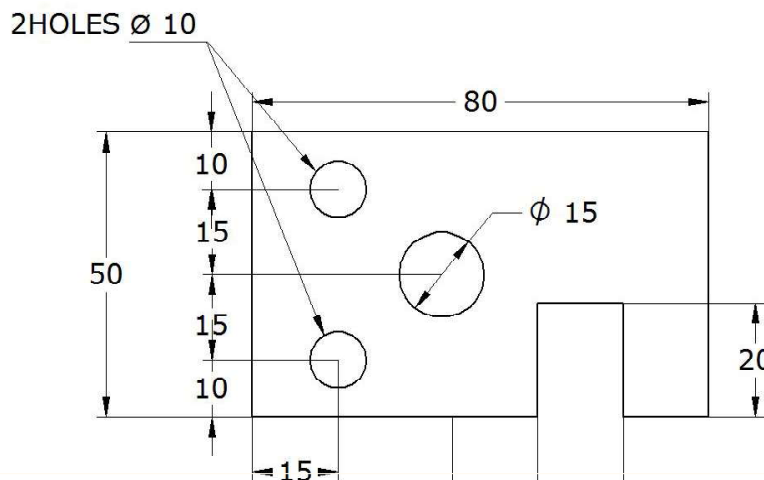
4x5=20M

Instructions: 1) Answer **all** the questions
2) Each question carries **five** marks.
3) All dimensions are in mm

1) Print the following line in 10 mm size single stroke vertical capital lettering.

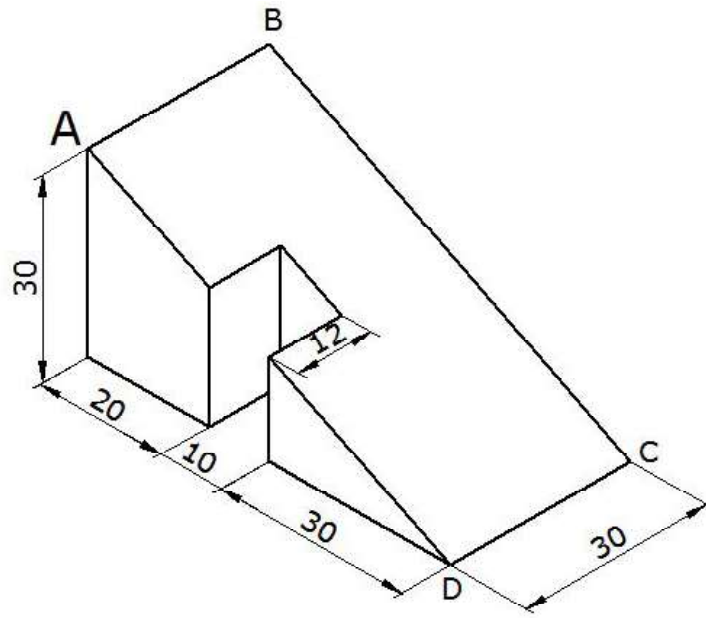
"DRAWING IS THE LANGUAGE OF ENGINEERS"

2) Redraw fig.1 to full size and dimension it properly as per SP:46-1988:

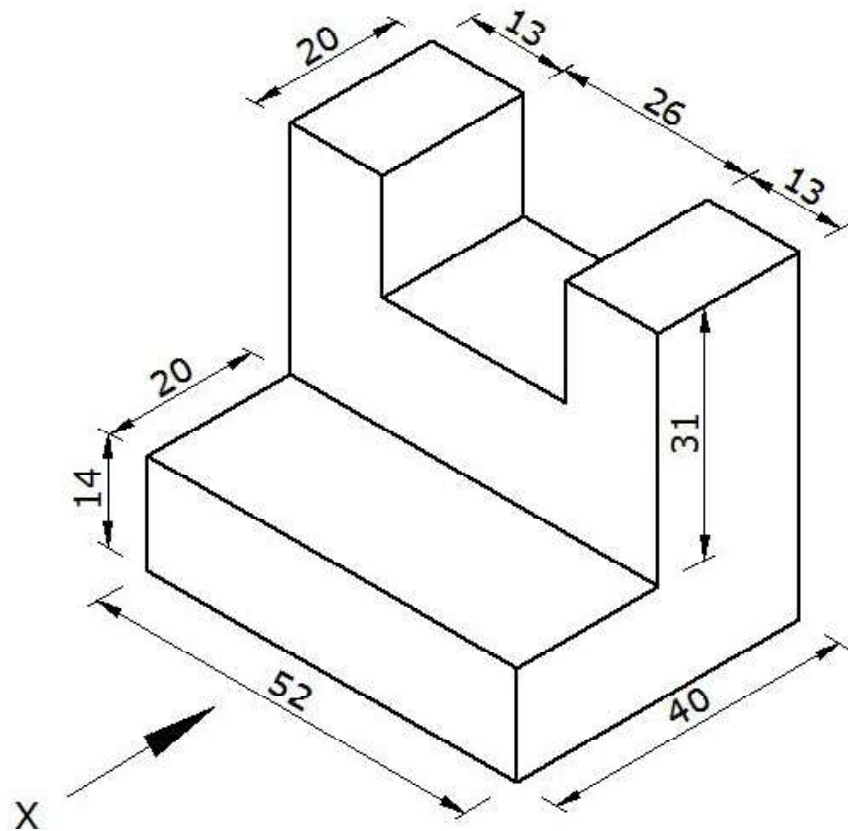


WWW.MANARESULTS.CO.IN

3) Draw the auxiliary view for the given orthographic view as shown below.



4) Draw the front view of the following pictorial drawing in first angle.



PART-B

4x10=40M

Instructions: 1) Answer any **four** questions.

2) Take suitable scale whenever required.

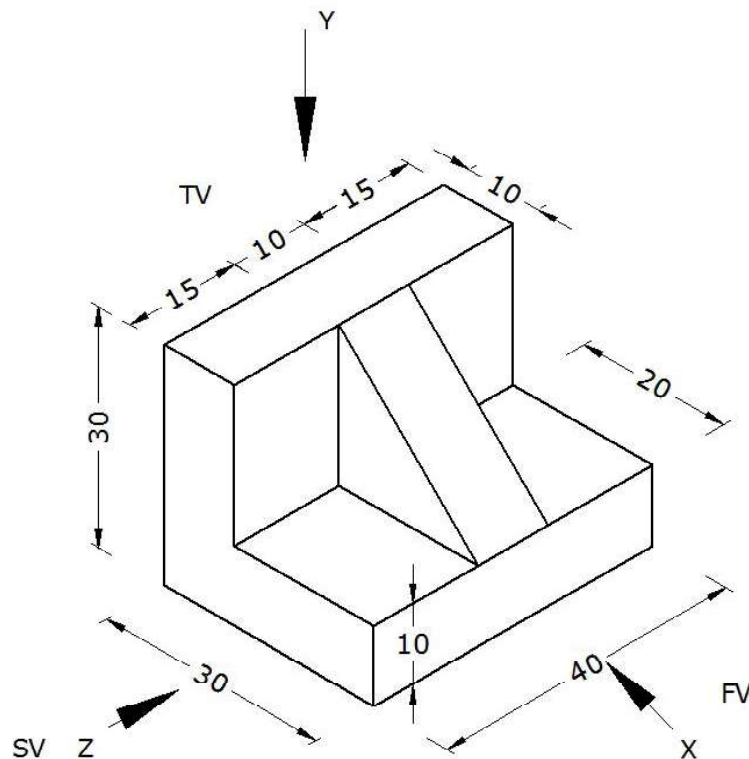
3) All dimensions are in mm

5) Construct an ellipse by concentric circle method with following information

(a) Distance between foci 80mm (b) Length of minor axis is 60mm

6) A regular pentagon of side 30mm is inclined at 45° to V.P. its side AB is perpendicular to H.P. Draw the projections of the pentagon.

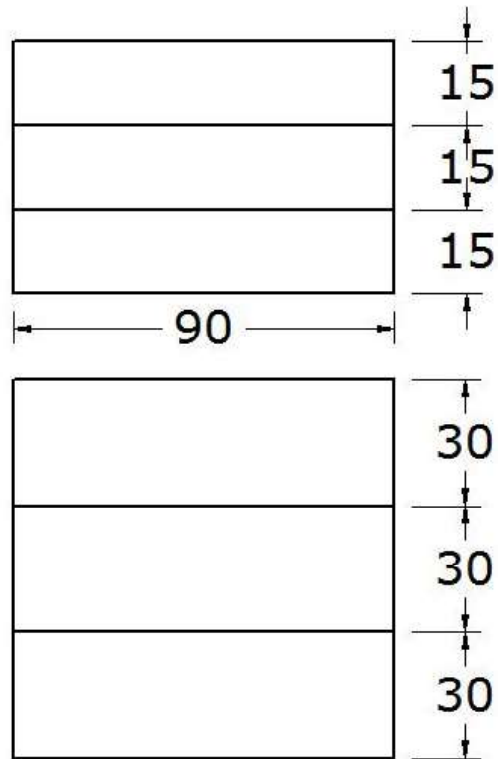
7) Draw the front, top and side view of the following object shown below.



8) A square prism of base side 30mm and height 60mm resting on HP on one of its base, with a base side inclined at 30° to VP. It is cut by a plane inclined at 45° to HP and perpendicular to VP and is bisecting the axis of the prism. Draw the front view top view and true shape of section.

WWW.MANARESULTS.CO.IN

- 9) Draw the isometric view of the object from the following orthographic views. *



- 10) A square pyramid of side of base 40mm and height 60mm is standing vertically on its base with one of its base edges parallel to VP. It is cut by a horizontal plane at a height of 30mm from base. Develop the lateral surface of the truncated pyramid.

* * *