



C09-A-107/C09-AEI-107/C09-BM-107/C09-C-107/
C09-CM-107/C09-CH-107/C09-CHPP-107/C09-CHPC-107/
C09-CHOT-107/C09-CHST-107/C09-EC-107/C09-EE-107/
C09-IT-107/C09-MET-107/C09-M-107/C09-MNG-107/
C09-PET-107/C09-TT-107/C09-RAC-**107**

3005

BOARD DIPLOMA EXAMINATION, (C-09)
OCT/NOV—2016
FIRST YEAR (COMMON) EXAMINATION
ENGINEERING DRAWING

Time : 3 hours]

[Total Marks : 60

PART—A

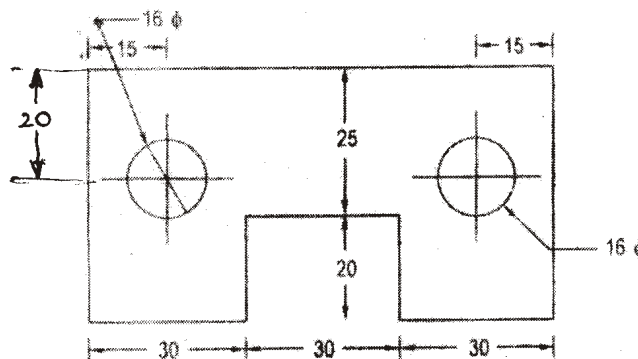
5×4=20

- Instructions :** (1) Answer **all** questions.
(2) Each question carries **five** marks.

1. Write the following in single-stroke inclined letters of size 10 mm as prescribed in SP : 46-1988 :

“STATE BOARD OF TECHNICAL EDUCATION”

2. Redraw the following figure and dimension it as per SP : 46-1988 :

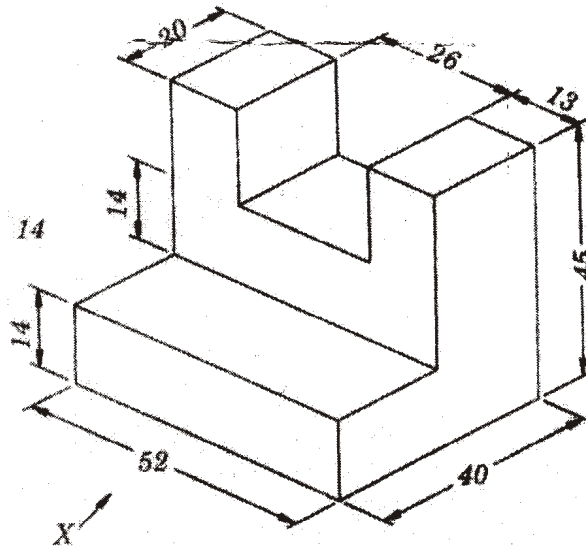


/3005

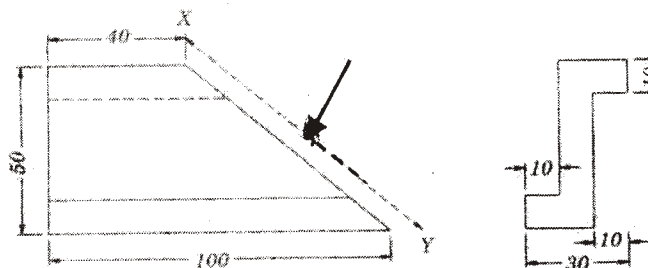
1

[Contd...

3. Draw the front view of the figure shown below :



4. The following figure shows the front and side view of an object. Draw the auxiliary view in the direction of the arrow.



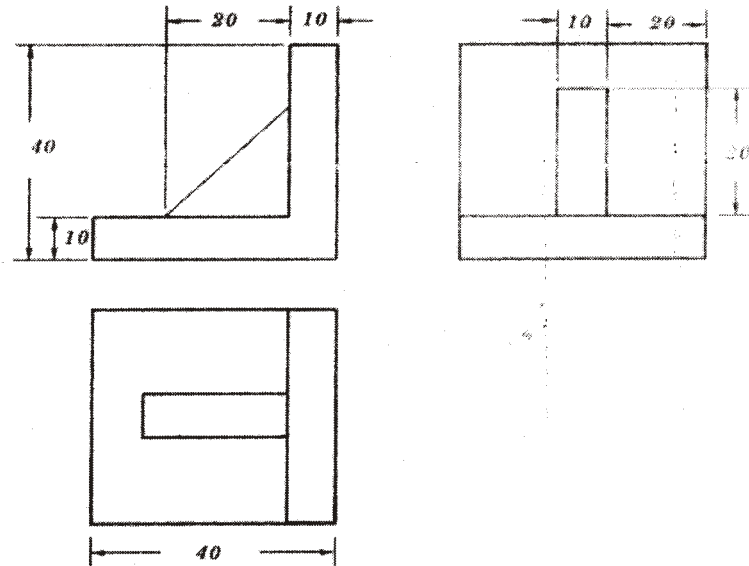
PART—B

10×4=40

- Instructions :** (1) Answer *any four* questions.
 (2) Each question carries **ten** marks.

5. Construct a cycloidal curve through a point on the circumference of a circle of radius 30 mm.
6. A regular hexagonal plane of side 30 mm is inclined at 45° to VP and is perpendicular to HP. Draw the projections of the plane.

9. Draw the isometric view of the ribbed angle plate shown in figure below. All dimensions are in mm and the views are given in the first angle :



10. Draw the development of pentagonal pyramid of 30 mm base side and 60 mm long axis which is resting on its base in the HP.
