



C09-M-307/C09-MET-307

3251

BOARD DIPLOMA EXAMINATION, (C-09)

MARCH/APRIL—2016

DME—THIRD SEMESTER EXAMINATION

MACHINE DRAWING

Time : 3 hours]

[Total Marks : 60

PART—A

5×4=20

Instructions : (1) Answer **all** questions.

(2) Each question carries **five** marks.

1. Draw the following thread profiles :

(a) ISO metric thread

(b) Square thread

2. Draw two views of single riveted lap joint.

3. Draw the single line symbols for the following pipe fittings :

(a) Coupling

(b) Plug

(c) Reducer

(d) Cross

(e) Check valve

/3251

1

[Contd...

WWW.MANARESULTS.CO.IN

4. Draw the following weld symbols :

- (a) Square butt weld
- (b) Single V-butt weld with broad root face
- (c) Fillet weld
- (d) Seam weld
- (e) Concave fillet weld

PART—B

40

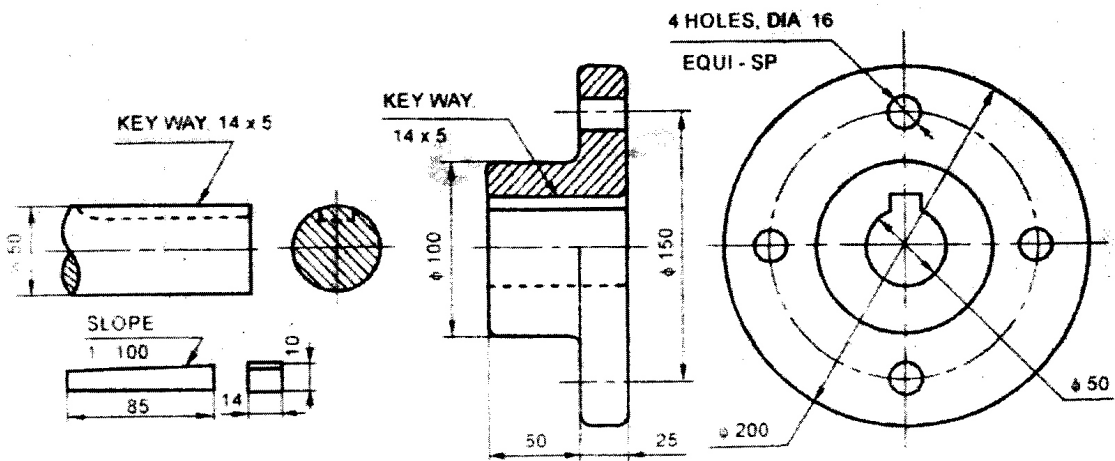
Instructions : (1) Answer *any one* question.

(2) Priority should be given to the accuracy, neatness and dimensioning.

5. Study the given part drawings of flange coupling. Assemble the parts and draw—

- (a) half sectional front view;
- (b) right side view.

25+15



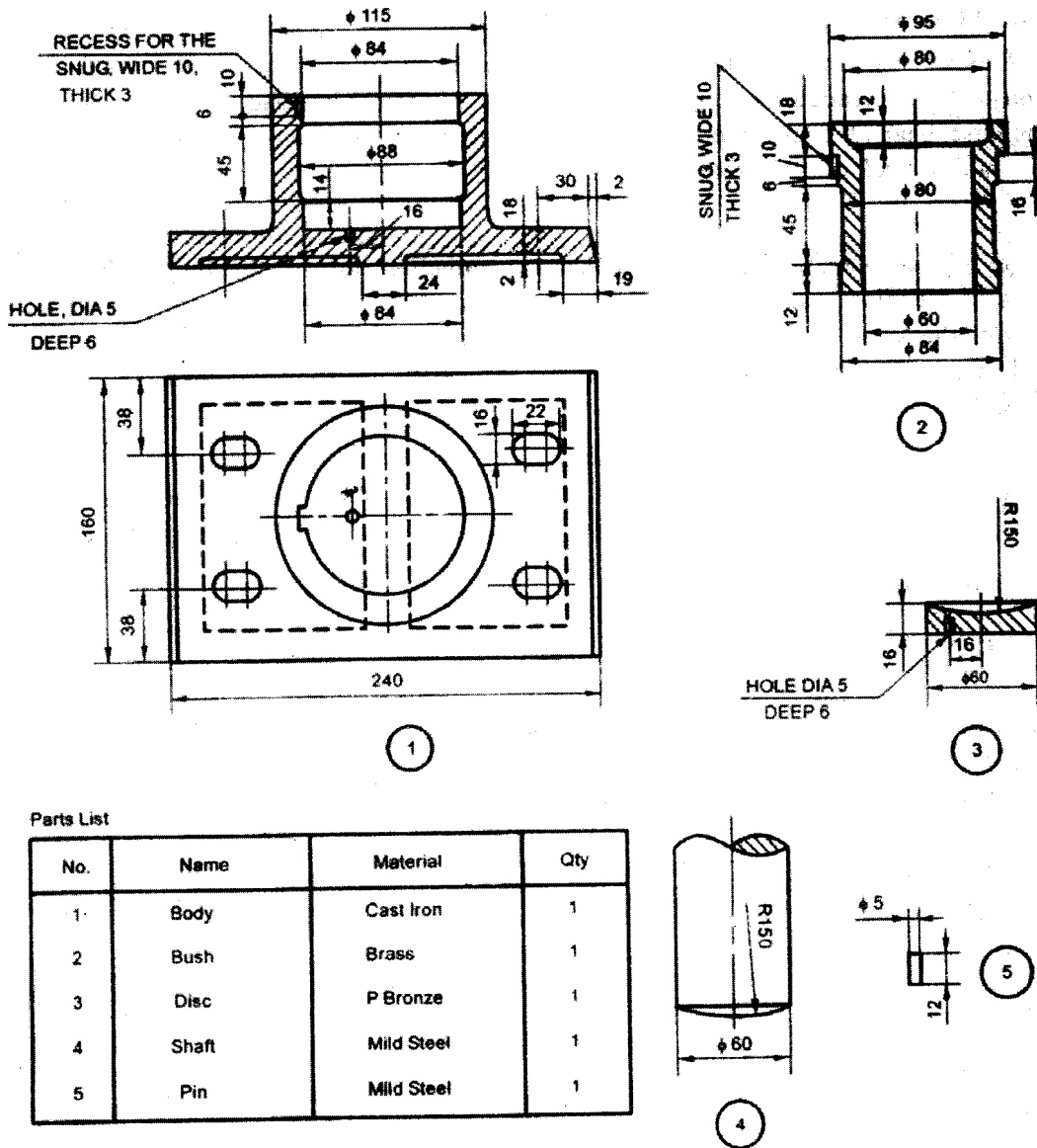
Flanged coupling

6. Study the parts of given foot-step bearing. Assemble the parts and draw—

(a) half sectional front view;

(b) top view.

25+15



Foot-step bearing
