



C09-M-307/C09-MET-307

**3251**

**BOARD DIPLOMA EXAMINATION, (C-09)**

**MARCH/APRIL—2017**

**DME—THIRD SEMESTER EXAMINATION**

**MACHINE DRAWING**

*Time : 3 hours ]*

*[ Total Marks : 60*

**PART—A**

5×4=20

**Instructions :** (1) Answer **all** questions.

(2) Each question carries **five** marks.

(3) Answer should be neat and clear with all the necessary dimensions.

(4) All dimensions are in mm.

**1.** Draw two views of a hexagonal headed bolt.

**2.** Draw two views of double riveted chain lap joint.

**3.** Draw the single-line symbols for the following pipe fittings :

(a) Cap

(b) Tee

(c) 90° elbow

(d) Lateral

(e) Gate valve

**/3251**

1

*[ Contd...*

**WWW.MANARESULTS.CO.IN**

4. Draw the following weld symbols :

- (a) Single V-butt weld
- (b) Single bevel butt weld with broad root face
- (c) Backing weld
- (d) Spot weld
- (e) Convex double V-butt weld

**PART—B**

40

**Instructions :** (1) Answer *any one* question.

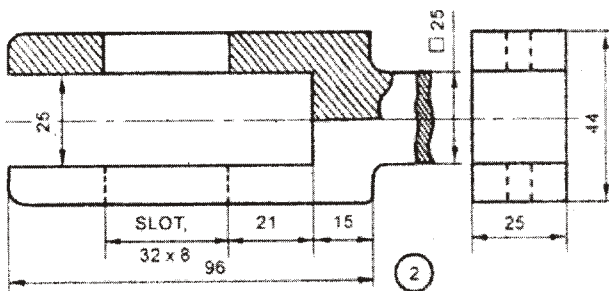
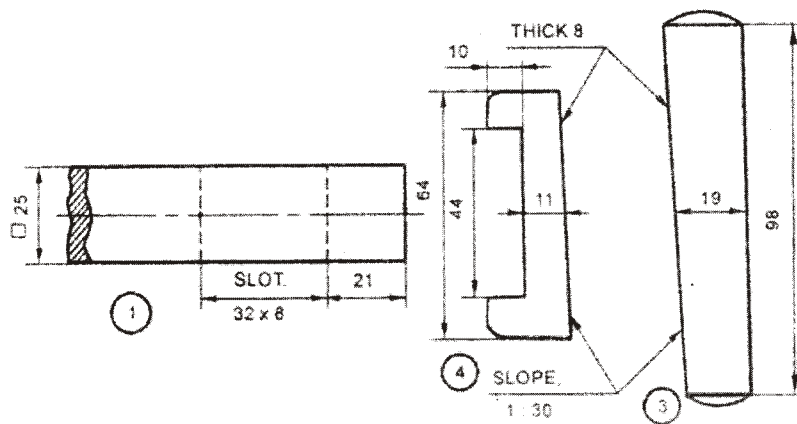
(2) Priority should be given to the accuracy, neatness and dimensioning.

5. Study the given part drawings of Cotter Joint with Gib.

Assemble the parts and draw :

25+15

- (a) Half-sectional front view
- (b) Top view



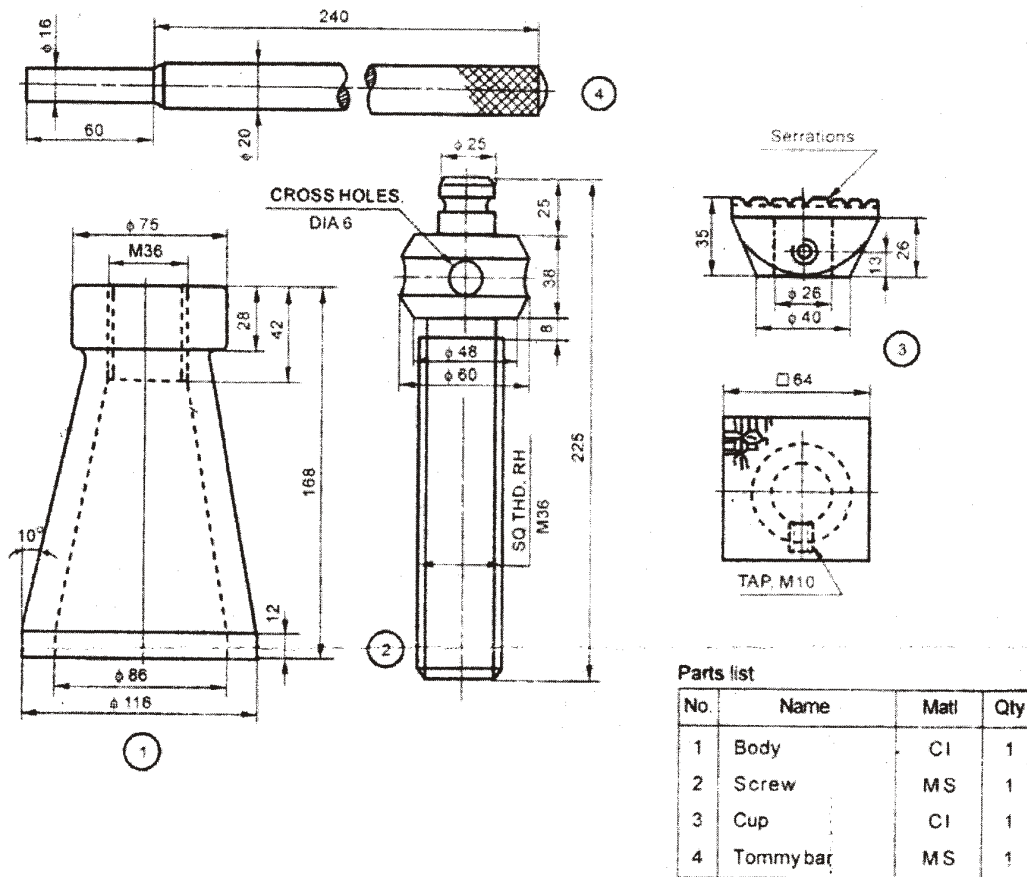
Parts list

No.	Name	Matl	Qty
1	Rod end	MS	1
2	Fork end	MS	1
3	Cotter	FS	1
4	Gib	FS	1

COTTER JOINT WITH A GIB

6. Study the parts of given screw jack. Assemble the parts and draw : 25+15

- (a) Half-sectional front view  
 (b) Right-side view



SCREW JACK

\*\*\*