



C09-M-307/C09-MET-307

3251

BOARD DIPLOMA EXAMINATION, (C-09)

OCT/NOV—2016

DME—THIRD SEMESTER EXAMINATION

MACHINE DRAWING

Time : 3 hours]

[Total Marks : 60

PART—A

5×4=20

Instructions : (1) Answer **all** questions.

(2) Each question carries **five** marks.

(3) Answer should be neat and clear with all the necessary dimensions.

(4) All dimensions are in mm.

1. Draw the following nuts by taking nominal diameter 20 mm :

$2\frac{1}{2}+2\frac{1}{2}=5$

(a) Capstan nut

(b) Wing nut

2. Draw a double-riveted chain lap joint connecting two plates of thickness 9 mm.

5

/3251

1

[Contd...

WWW.MANARESULTS.CO.IN

3. Sketch the following CI pipe fittings : 1×5=5

(a) 90° elbow

(b) Tee

(c) Cross

(d) Reducer

(e) Lateral

4. Show the weld symbols for the following : 1×5=5

(a) Single U-butt weld

(b) Fillet weld

(c) Plug weld

(d) Concave weld

(e) Flat single V-butt weld

PART—B

40

Instructions : (1) Answer *any one* question.

(2) All dimensions are in mm.

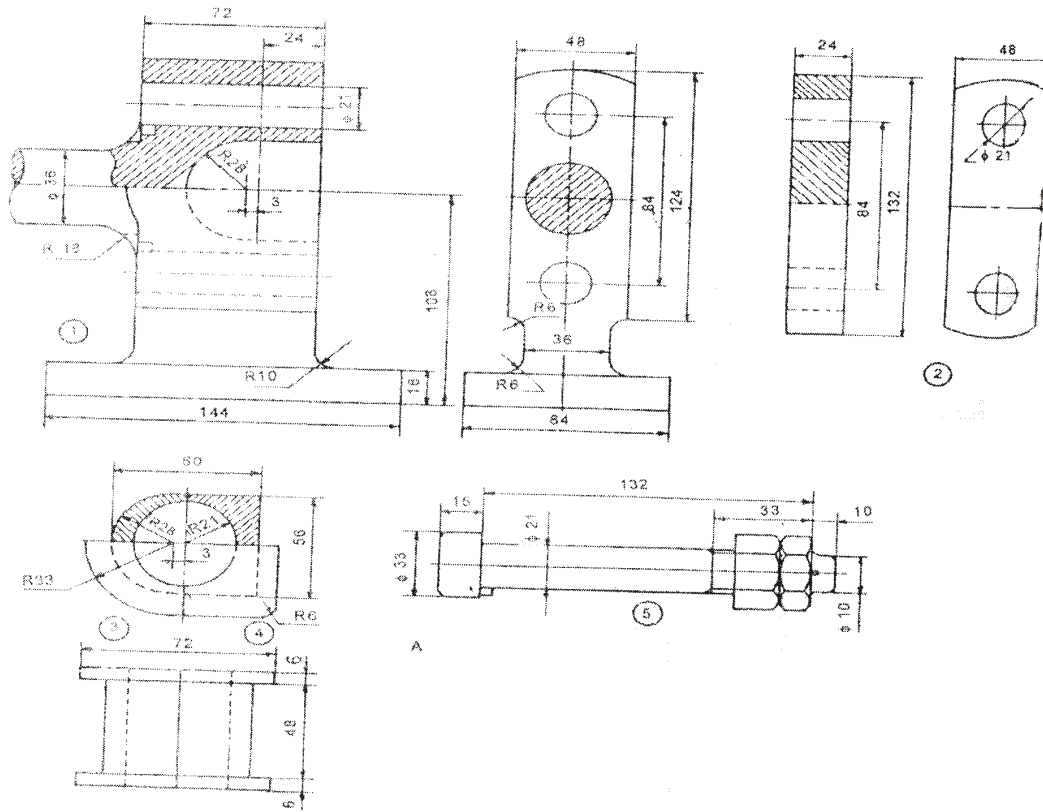
(3) Choose suitable scale.

5. Assemble together the parts of the crosshead shown in the figure 1 and draw its following views : 20+15+5=40

(a) Half-sectional front view

(b) Side view

(c) Dimensioning



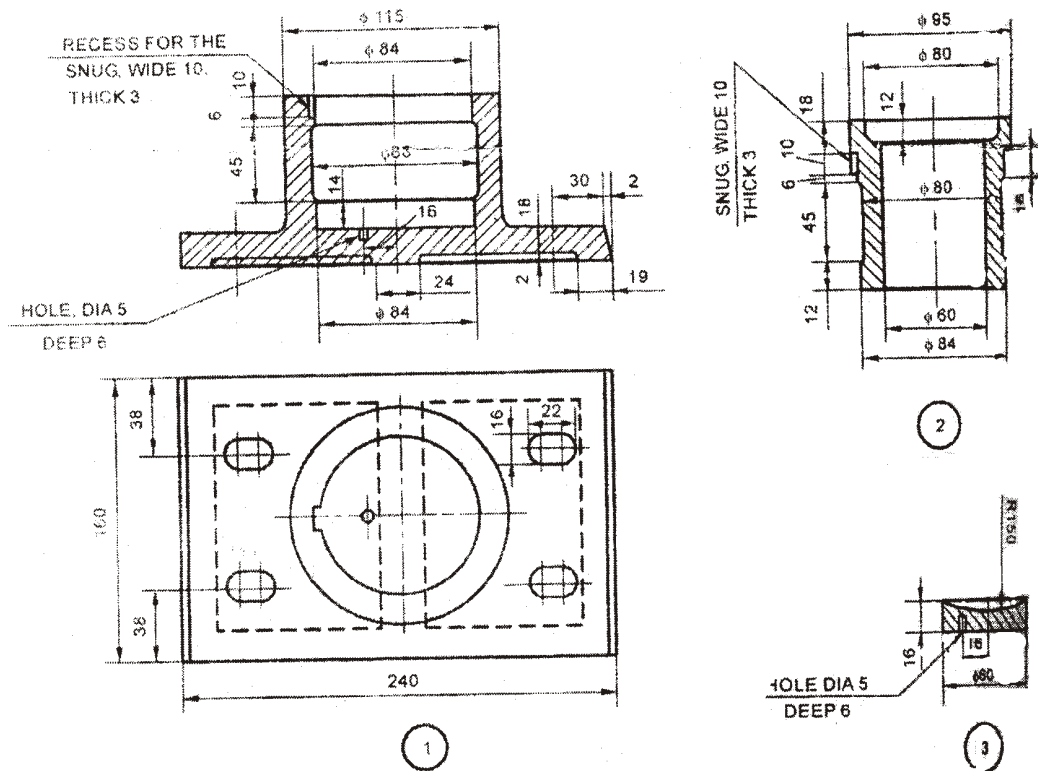
Parts List

No.	Name	Matl	Qty
1	Body	CI	1
2	Cover	CI	1
3	Brass	BRASS	1
4	Brass	BRASS	1
5	Capbolt with nuts	MS	2

Fig. 1

6. Assemble the parts of the foot-step bearing shown in figure 2 and draw its following views : 20+15+5=40

- (a) Sectional front view
- (b) Top view
- (c) Dimensioning



Parts List

No.	Name	Material	Qty
1	Body	Cast Iron	1
2	Bush	Brass	1
3	Disc	P Bronze	1
4	Shaft	Mild Steel	1
5	Pin	Mild Steel	1

Fig. 2
