



C14-M/CHOT/RAC-107

4053

BOARD DIPLOMA EXAMINATION, (C-14)

OCT/NOV—2016

DME—FIRST YEAR EXAMINATION

ENGINEERING DRAWING

Time : 3 hours]

[Total Marks : 60

PART—A

5×4=20

Instructions : (1) Answer **all** questions.

(2) Each question carries **five** marks.

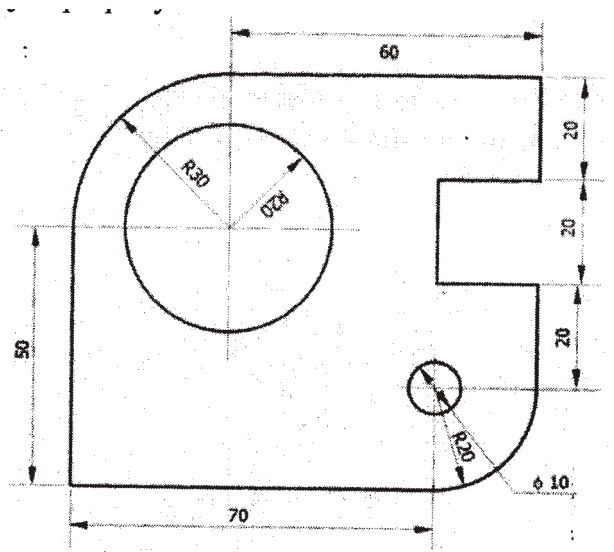
(3) Take suitable scale wherever required.

(4) All dimensions are in mm.

1. Print the following in 10 mm size capital single-stroke vertical letters :

“INTERLINKING OF RIVERS”

2. Read the component illustrated in the figure and redraw it to a full-scale and dimension the object properly :



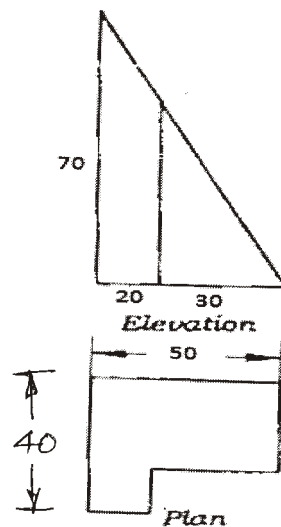
/4053

1

[Contd...

WWW.MANARESULTS.CO.IN

3. Draw a parabola whose base is 80 mm and height 70 mm by oblong method.
4. Draw the auxiliary view of the sloping side of the object given below :



PART—B

10×4=40

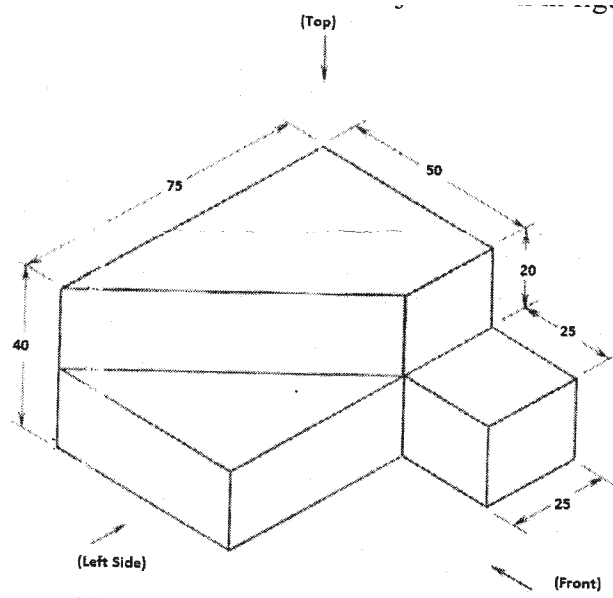
Instructions : (1) Answer any **four** questions.

(2) Each question carries **ten** marks.

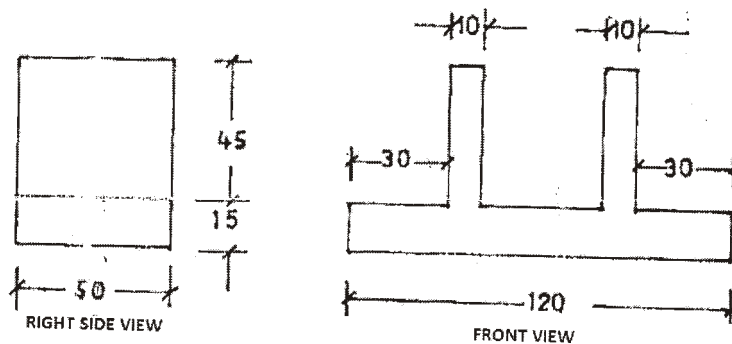
(3) All dimensions are in mm.

5. Construct a cycloid of a circle of radius 25 mm.
6. A pentagonal prism of side 30 mm and axis 80 mm is resting on the ground with one of the rectangular faces, axis is parallel to HP and making an angle of 30° with VP. Draw the projections of the prism.

7. Draw front, top and left side views of the object shown in the figure given below :



8. A cube of 40 mm side is resting on the HP, one of the vertical faces making an angle of 45° with VP. It is cut by a cutting plane perpendicular to VP and making an angle of 30° with HP and passing through a point 10 mm below the top right corner of the object. Draw the front view and sectional top view.
9. Draw the isometric view from the given orthographic views :



10. A hexagonal prism of side 20 mm and axis 65 mm is resting with its base on HP. A cutting plane inclined at 30° to the HP perpendicular to VP and passing through the middle of the axis cuts the solid. Develop the lateral surface of the bottom portion.
