



C14-M-307

4255

BOARD DIPLOMA EXAMINATION, (C-14)

MARCH/APRIL—2016

DME—THIRD SEMESTER EXAMINATION

MACHINE DRAWING PRACTICE

Time : 3 hours]

[Total Marks : 60

PART—A

5×4=20

Instructions : (1) Answer **all** questions.

(2) Each question carries **five** marks.

(3) All dimensions are in mm.

(4) Choose suitable scale.

1. Sketch the following special nuts with standard proportions :

(a) Cap nut

(b) Wing nut

2. Draw a single riveted, double strap butt joint, connecting two plates of 8 mm thick (2 views).

3. Draw the following pipe fitting symbols (single line) :

(a) Tee

(b) Plug

(c) Cross

(d) Reducer

(e) Union joint

4. Draw the symbols of the following welded joints :

(a) Square butt weld

(b) Single V-butt weld

(c) Fillet weld

(d) Plug weld

(e) Spot weld

/4255

1

[Contd...

WWW.MANARESULTS.CO.IN

*

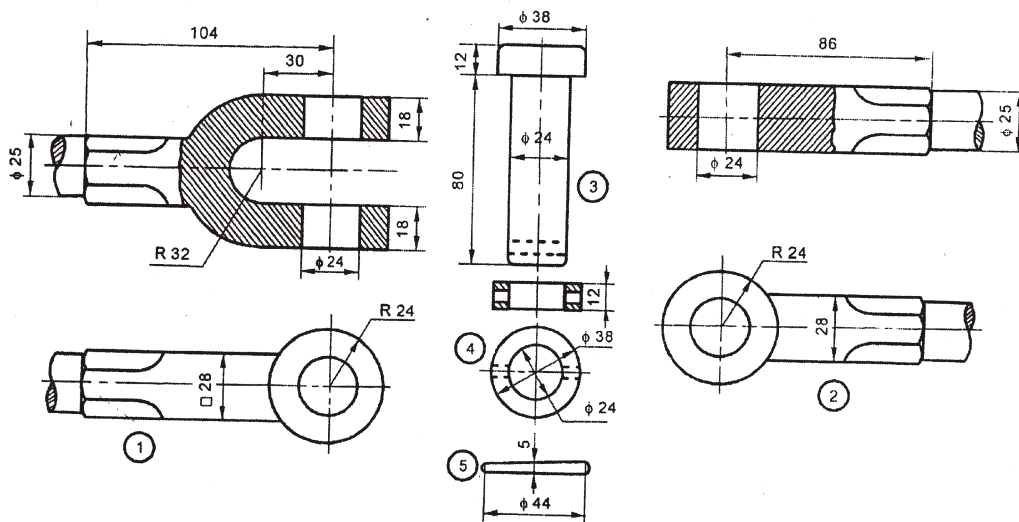
PART—B

40

- Instructions :** (1) Answer *any one* question.
 (2) Each question carries **forty** marks.
 (3) All dimensions are in mm.
 (4) Choose suitable scale.

5. Assemble parts of knuckle joint shown in the figure below.
 Draw the following views :

- (a) Sectional front view 20
 (b) Right-side view 15
 (c) Dimensioning 5



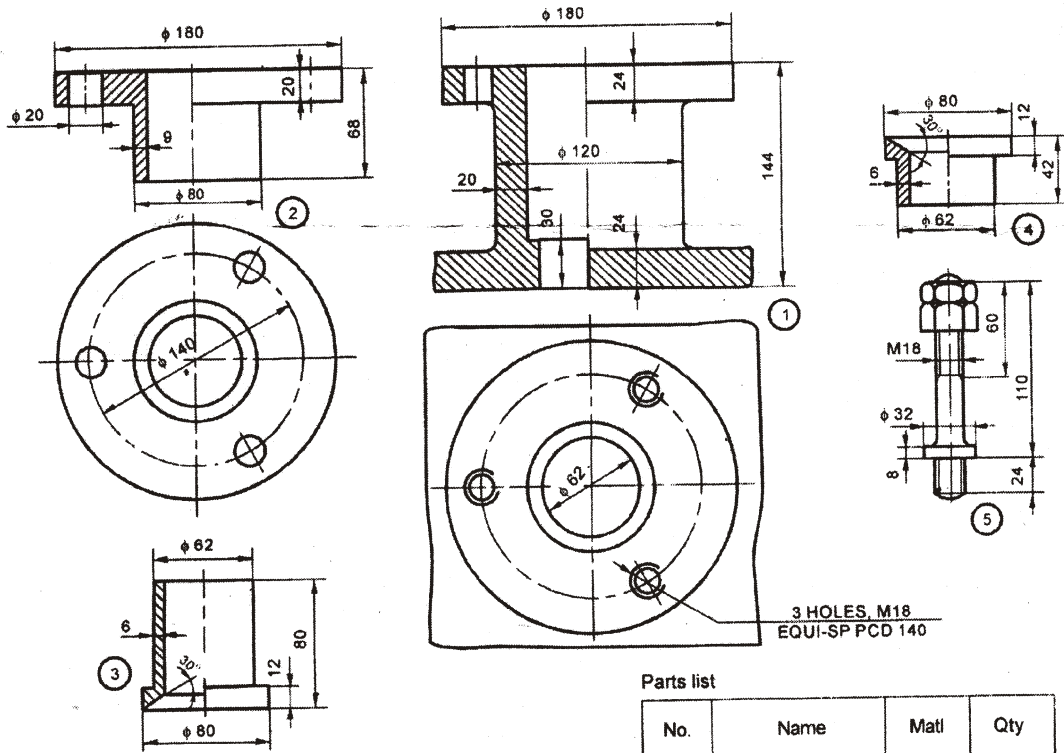
Parts list

No.	Name	Matl	Qty
1	Fork end	F S	1
2	Eye end	F S	1
3	Pin	M S	1
4	Collar	M S	1
5	Taper pin	M S	1

Knuckle joint

6. The details of stuffing box are shown in the figure below. Assemble the parts and draw the following views :

- (a) Half-sectional front view 20
- (b) Top view 15
- (c) Dimensioning 5



Parts list

No.	Name	Matl	Qty
1	Stuffing box	CI..	1
2	Gland	CI	1
3	Gland bush	BRASS	1
4	Neck bush	BRASS	1
5	Stud with nuts	MS	3

Stuffing box