



C14-M-307

4255

BOARD DIPLOMA EXAMINATION, (C-14)

OCT/NOV—2016

DME—THIRD SEMESTER EXAMINATION

MACHINE DRAWING PRACTICE

Time : 3 hours]

[Total Marks : 60

PART—A

5×4=20

Instructions : (1) Answer **all** questions.

(2) Each question carries **five** marks.

(3) All dimensions are in mm.

(4) Choose suitable scale.

1. Draw the hexagonal headed bolt with nut taking nominal diameter of 20 mm. $2\frac{1}{2}\times 2=5$

2. Draw a double-riveted lap joint with chain riveting (2 views). $2\frac{1}{2}\times 2=5$

3. Draw the following pipe-fitting symbols (single line) : $1\times 5=5$

(a) Union

(b) Globe valve

(c) Check valve

(d) Lateral

(e) Coupling

4. Draw the symbols of the following welded joints : $1\times 5=5$

(a) Single-bevel butt weld

(b) Single-j butt weld

(c) Concave fillet weld

(d) Plug weld

(e) Seam weld

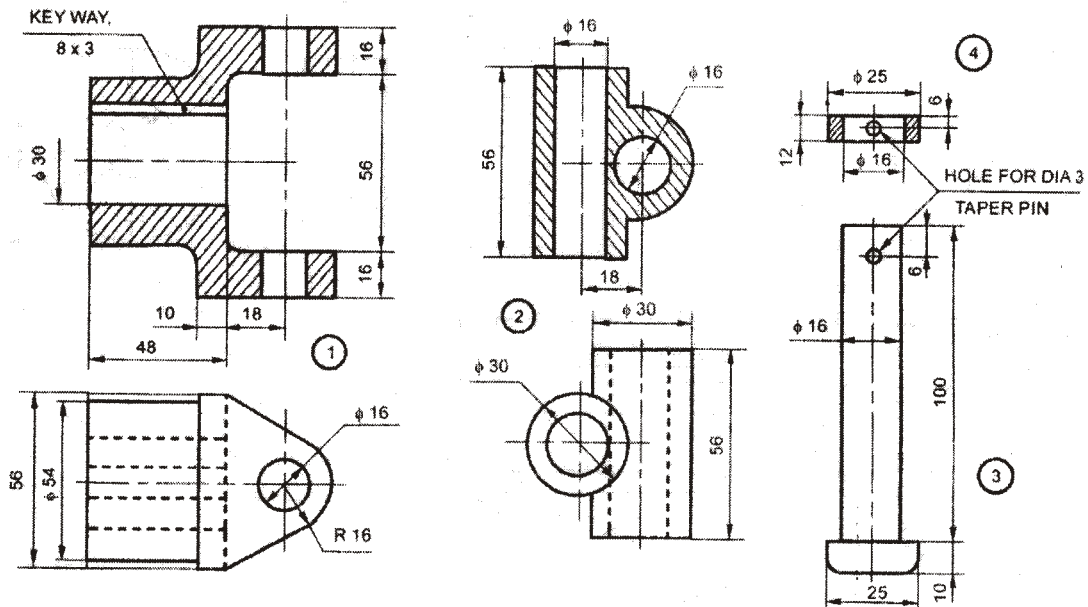
* **PART—B**

40

- Instructions :** (1) Answer *any one* question.
 (2) Each question carries **forty** marks.
 (3) All dimensions are in mm.
 (4) Choose suitable scale.

5. Assemble parts of universal coupling shown in the figure below.
 Draw the following views :

- (a) Sectional front view 20
 (b) Top view 15
 (c) Dimensioning 5



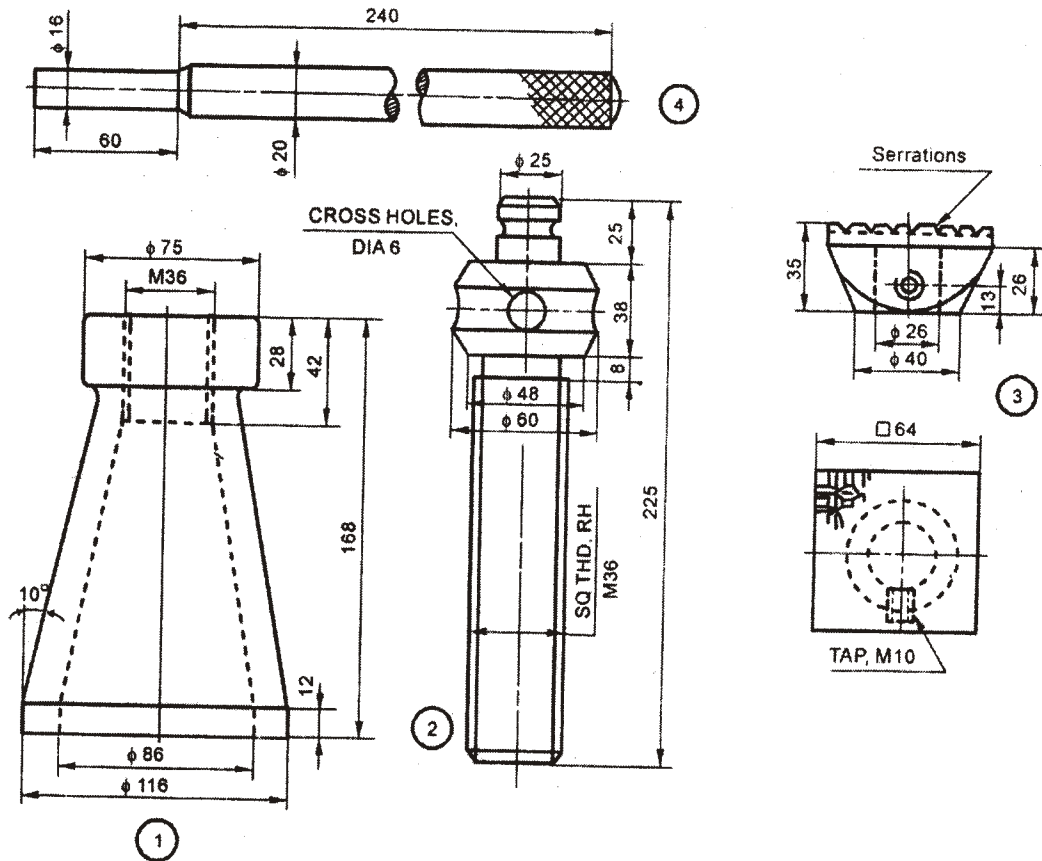
Parts List

No.	Name	Matl.	Qty.
1	Fork	MS	2
2	Centre block	MS	1
3	Pin	MS	2
4	Collar	MS	2

Universal Coupling

6. The details of screw jack are shown in the figure below. Assemble the parts and draw the following views :

- (a) Half-sectional front view 20
- (b) Top view 15
- (c) Dimensioning 5



Parts List

No.	Name	Matl	Qty
1	Body	Cl	1
2	Screw	MS	1
3	Cup	Cl	1
4	Tommy bar	MS	1

Screw Jack
