



C16-M/CHOT/RAC-107

6055

BOARD DIPLOMA EXAMINATION, (C-16)

OCT/NOV—2018

DME—FIRST YEAR EXAMINATION

ENGINEERING DRAWING

Time : 3 hours]

[Total Marks : 60

PART—A

5×4=20

Instructions : (1) Answer **all** questions.

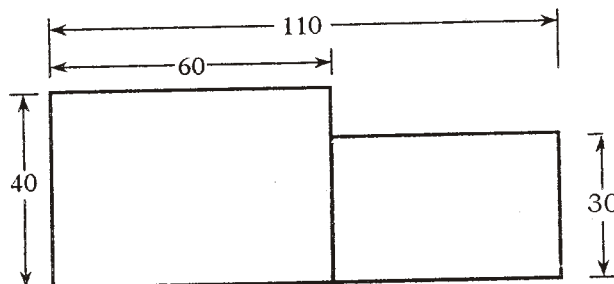
(2) Each question carries **five** marks.

(3) All dimensions are in mm.

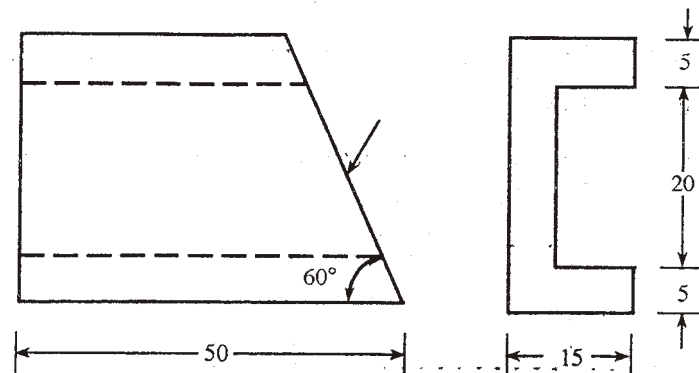
1. Write the following using single-stroke vertical letters of 10 mm size :

“ALL DIMENSIONS ARE IN MM”

2. Redraw the following figure in dimensioning :



3. Construct ^{*} regular pentagon of side 25 mm by any one method.
4. Draw the auxiliary view of the inclined surface for the view given in the figure below :



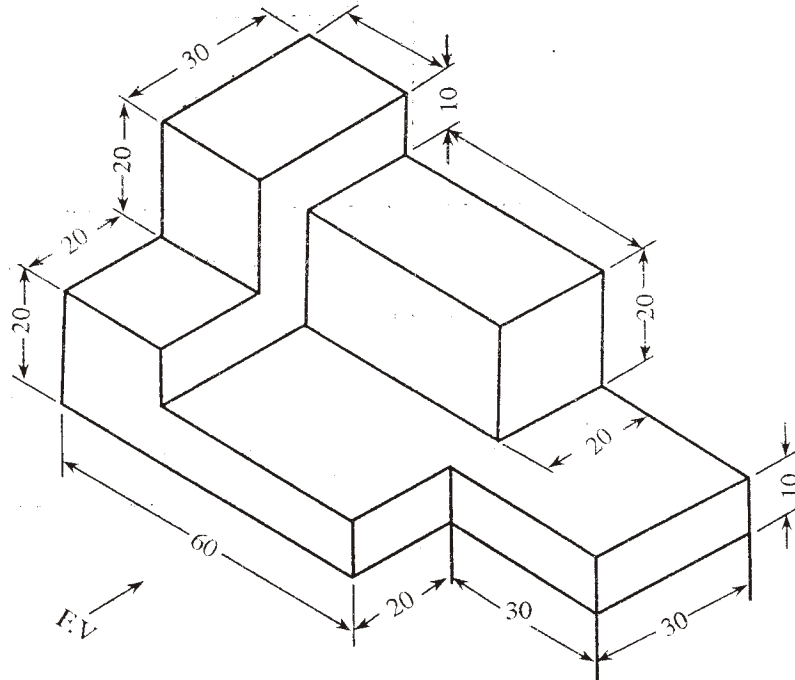
PART—B

10×4=40

- Instructions :** (1) Answer *any four* questions.
 (2) Each question carries **ten** marks.
 (3) All dimensions are in mm.

5. Construct the involute of a circle of radius 25 mm.
6. A square prism 40 mm base side and height 60 mm is standing vertically on its square base 10 mm above HP and being one of its rectangular faces making an angle of 60° with VP. Draw its projections.

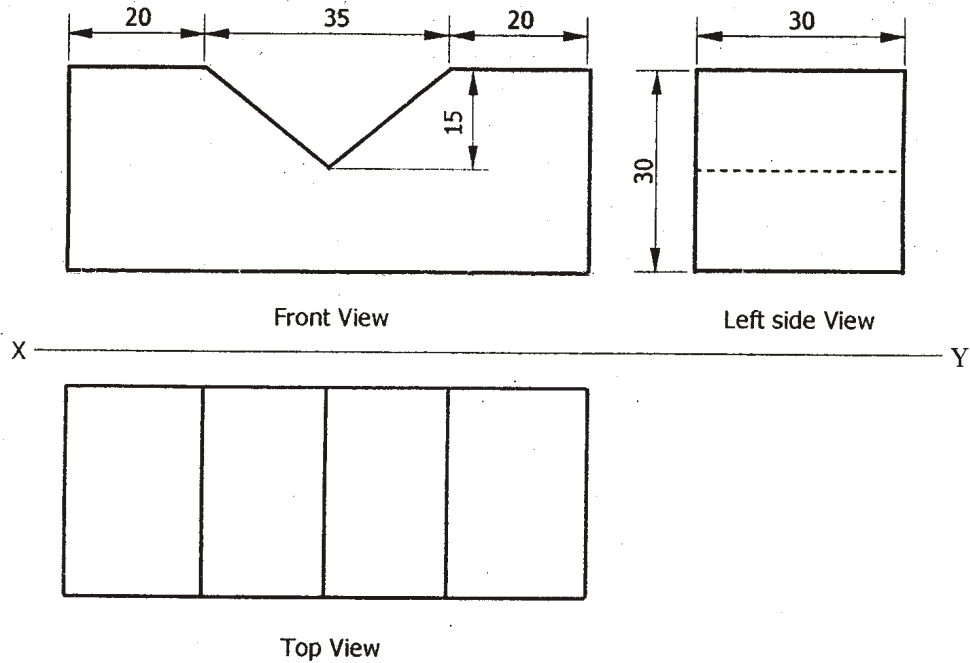
7. An isometric view of an object is given below :



Draw its front view, top view and right side view.

8. A hexagonal pyramid of base side 30 mm and height 75 mm is resting on the ground with its axis vertical. It is cut by a plane inclined at 30° to the HP and passing through a point on the axis at 20 mm from the vertex. Draw the sectional front view, top view and true shape.

9. Draw the isometric view of the object for the views given below :



10. A square pyramid of side of base 40 mm and height 60 mm is standing vertically on its base with one of the base edges parallel to VP. It is cut by a horizontal plane at a height of 30 mm from base. Develop the lateral surface of frustum of the pyramid.

★ ★ ★