



*

C16-M-306

6247

BOARD DIPLOMA EXAMINATION, (C-16)

OCT/NOV—2018

DME—THIRD SEMESTER EXAMINATION

MACHINE DRAWING

Time : 3 hours]

PART—A

5×4=20

- Instructions :** (1) Answer **all** questions.
(2) Each question carries **five** marks.
(3) All dimensions are in mm.
(4) Choose suitable scale.

1. Draw the following screw thread profiles with standard proportions :

(a) Metric thread

(b) Worm thread

2. Sketch the following special nuts with standard proportions :

(a) Cap nut

(b) Wing nut

/6247

1

[*Contd...*

- 3.** Draw the following ^{*} pipe-fitting symbols (single line) :
- (a) Tee
 - (b) Plug
 - (c) Cross
 - (d) Lateral
 - (e) Coupling
- 4.** Draw the following weld symbols :
- (a) Single-bevel butt weld
 - (b) Single-V butt.
 - (c) Double-V butt
 - (d) Slot weld
 - (e) Double-bevel butt

*

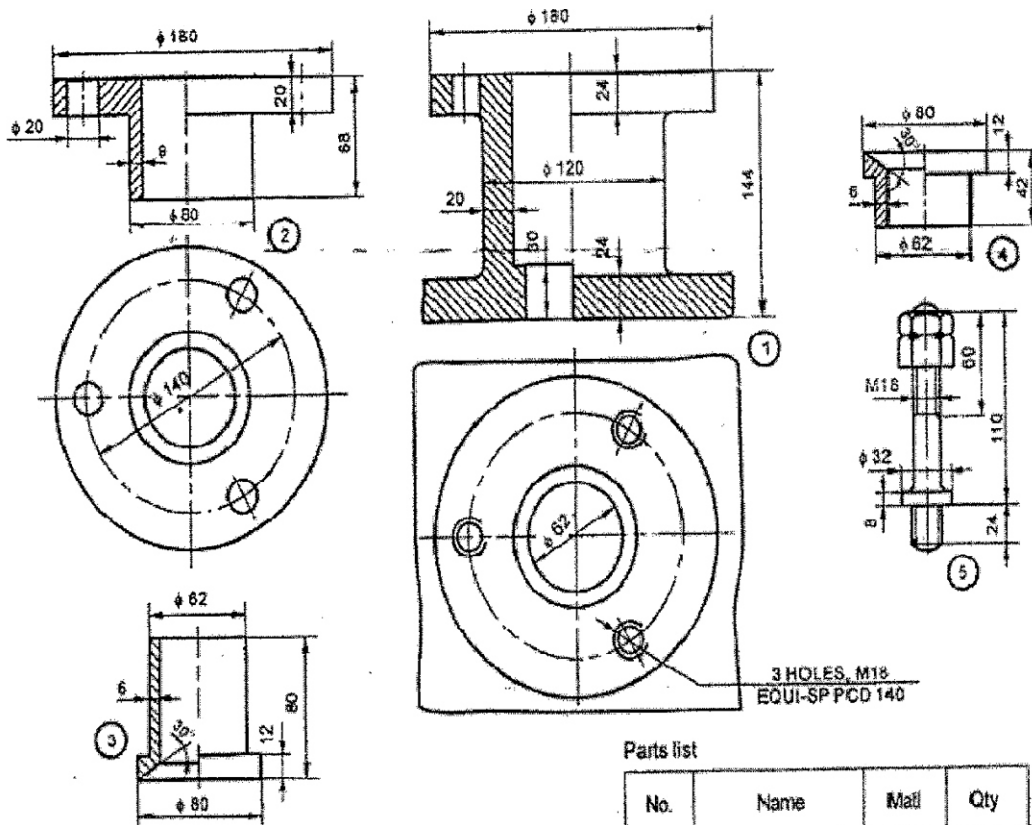
*

PART—B

40

- Instructions :** (1) Answer *any one* question.
 (2) Each question carries **forty** marks.
 (3) All dimensions are in num.
 (4) Choose suitable scale.

- 5.** Assemble parts of the stuffing box shown in Annexure-1 and draw the following views : 20+15+5=40
 (a) Sectional front view
 (b) Top view
 (c) Dimensioning



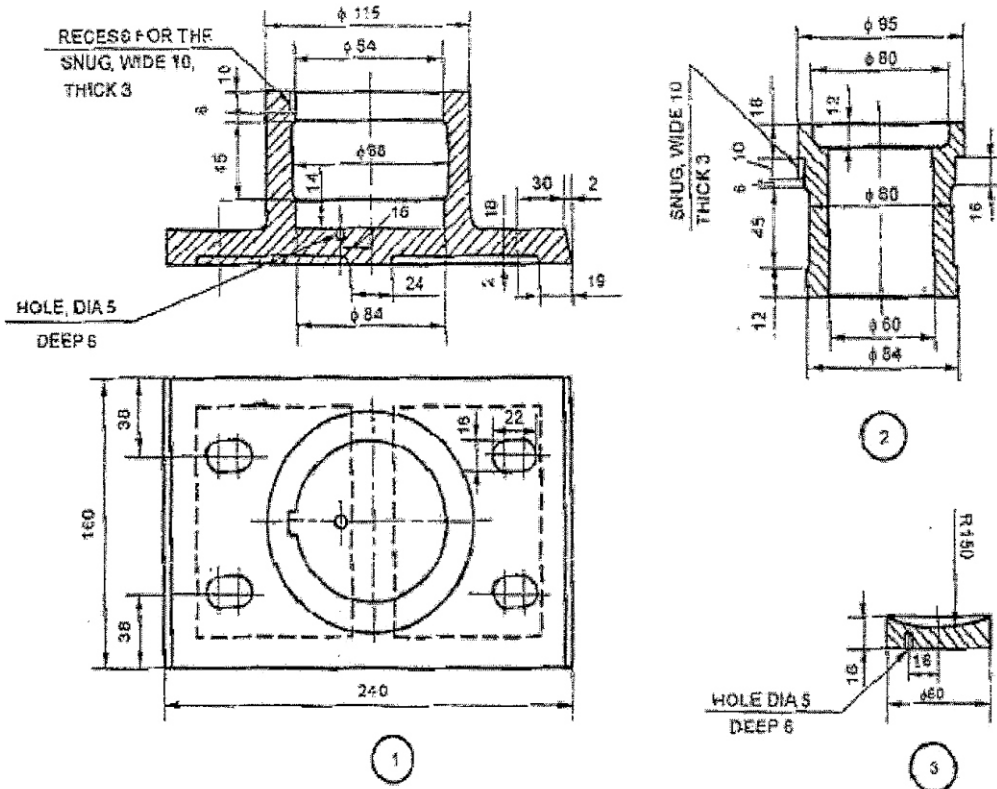
Parts list

No.	Name	Matl	Qty
1	Stuffing box	CL	1
2	Gland	CI	1
3	Gland bush	BRASS	1
4	Neck bush	BRASS	1
5	Stud with nuts	MS	3

Stuffing Box

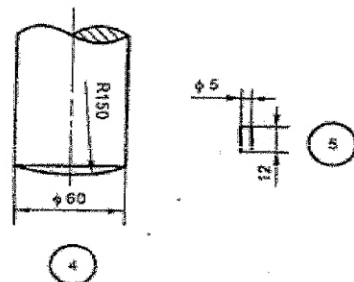
6. Assemble parts of the footstep bearing shown in Annexure-2 and draw the following views : 20+15+5=40

- (a) Full sectional front view
- (b) Top view
- (c) Dimensioning



Parts List

No.	Name	Material	Qty.
1	Body	Cast iron	1
2	Bush	Brass	1
3	Disc	P Bronze	1
4	Shaft	Mild steel	1
5	Pin	Mild steel	1



Foot-step Bearing

★★★