

6247

BOARD DIPLOMA EXAMINATIONS

DME-THIRD SEMESTER

OCT/NOV-2019

MACHINE DRAWING

Time: 3 hours

Max. Marks: 60

PART – A

4 X 5 = 20

- Instructions:**
1. Answer *all* questions.
 2. Each question carries *Five* Marks.
 3. All dimensions are to be in mm.

1. Sketch the following thread profiles and label in terms of pitch:
 - a) Knuckle thread
 - b) Worm thread
 2. Draw the front and top view of a single riveted chain lap joint and thickness of each plate to be joined is 9 mm.
 3. Draw the following weld symbols:
 - a) Square butt weld
 - b) Single bevel butt weld
 - c) Fillet weld
 - d) Seam weld
 - e) Concave fillet weld.
 4. Draw the symbols for the following pipe fittings (single line) :
 - a) 90° Elbow turned down
 - b) Plug
 - c) Cross
 - d) Globe Valve
 - e) Check Valve
- *
*

- Instructions:**
1. Answer any **one** question.
 2. Each question carries **FORTY** Marks.
 3. All dimensions are given in mm.
 4. Choose suitable Scale.
 5. Assume missing dimensions suitably.

5. Fig. shows details of Universal Joint (or Coupling). Assemble all the parts and draw the following views of the assembly to full scale.

- a) Front View **(18 + 5M for Dimensioning)**
- b) Top View **(10 + 3M for Dimensioning)**
- c) Prepare material list **(4 M)**

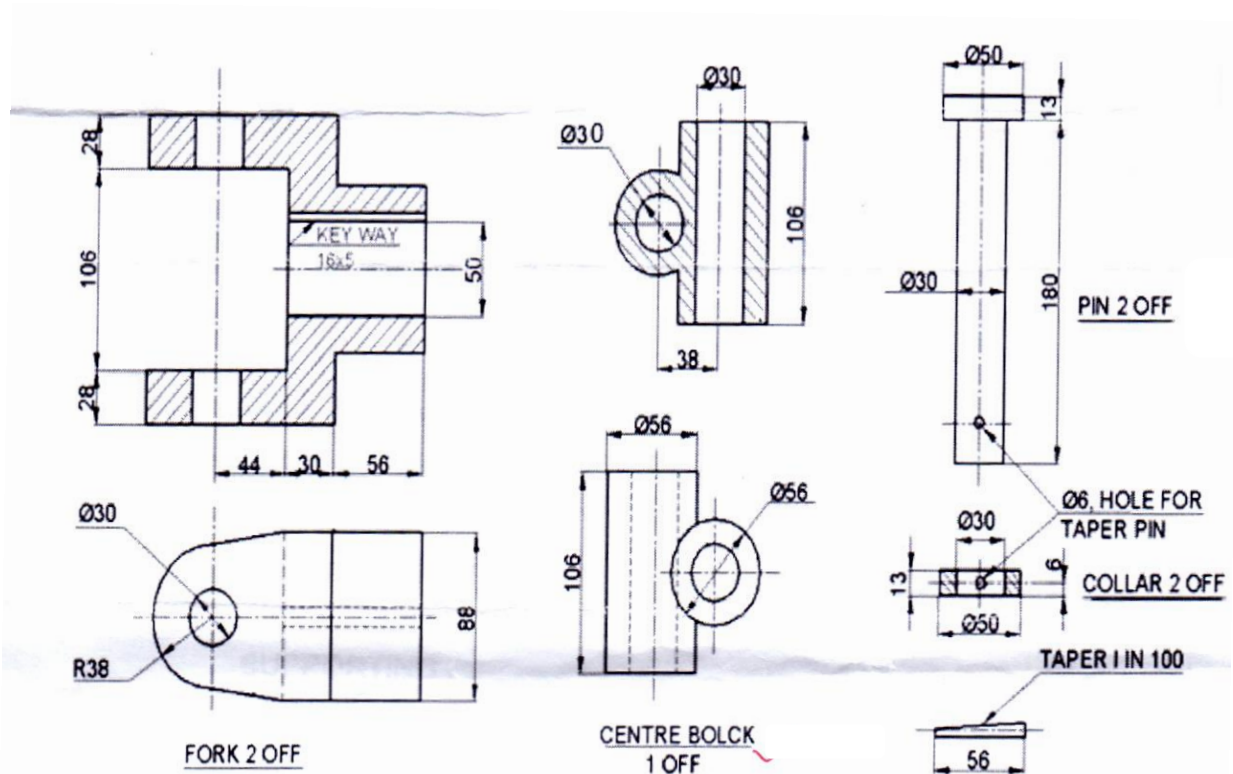


Fig. Universal Joint parts

6. Fig .shows details of Footstep Bearing. Assemble all the parts and draw the following views of assembly to full scale.

- a) Front View **(18 + 5M for Dimensioning)**
- b) Top View **(10 + 3M for Dimensioning)**
- c) Prepare material list **(4 M)**

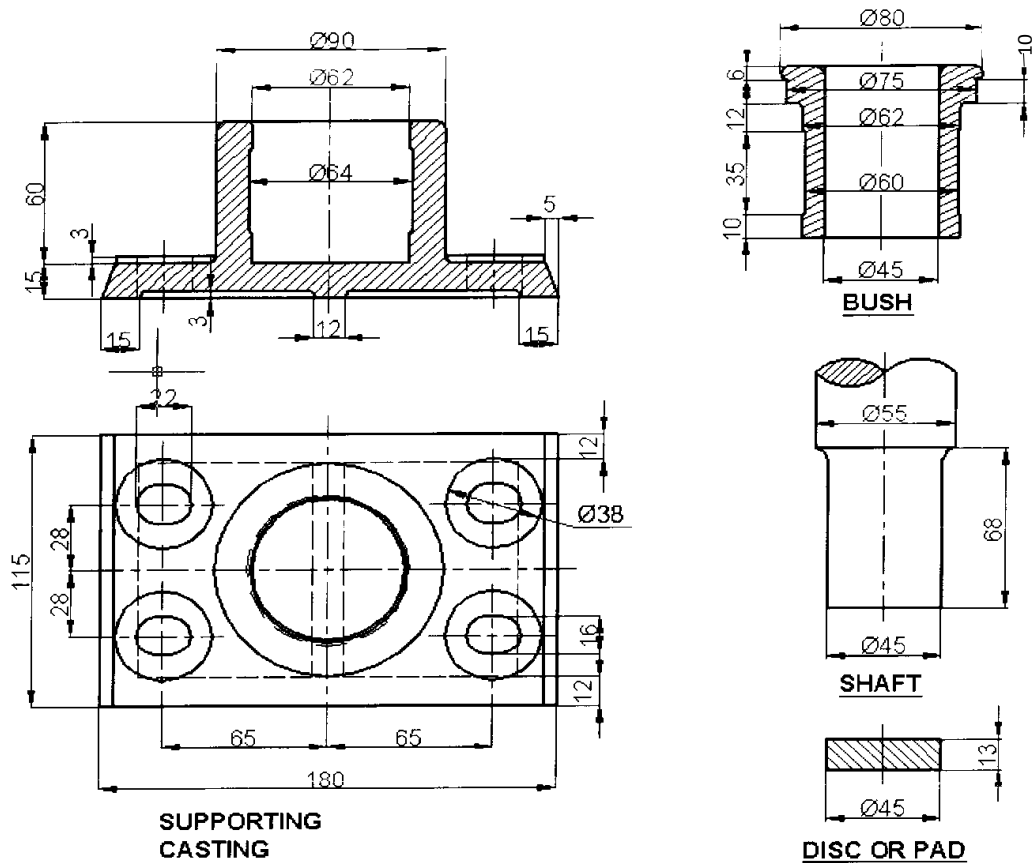


Fig. Footstep Bearing parts