



*

C16-M-RAC-306**6247****BOARD DIPLOMA EXAMINATION, (C-16)****OCTOBER/NOVEMBER—2023****DME – THIRD SEMESTER EXAMINATION****MACHINE DRAWING***Time : 3 Hours]**[Total Marks : 60***PART—A****5×4=20**

- Instructions :** (1) Answer **all** questions.
(2) Each question carries **five** marks.
(3) All dimensions are in mm.
(4) Choose suitable scale.

1. Draw Hexagonal headed bolt with nut taking nominal diameter of 20 mm.
2. Draw front view and top view of double riveted chain lap joint connecting two plates of thickness 9 mm.
3. Draw the single-line symbols for the following pipe fittings :
 - (a) Tee
 - (b) Plug
 - (c) Cross
 - (f) Reducer
 - (e) Union Joint
4. Draw the following weld symbols :
 - (a) Square butt weld
 - (b) Concave fillet weld
 - (c) Flat weld
 - (d) Plug weld
 - (e) Single bevel butt weld

/6247

1

[Contd...

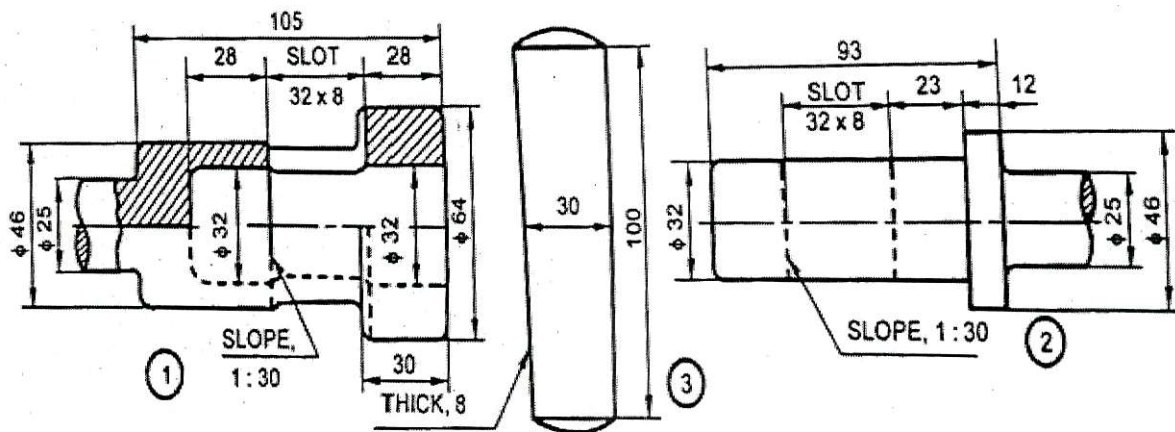
*

* **PART—B**

40×1=40

- Instructions :**
- (1) Answer *any one* questions.
 - (2) Each question carries **forty** marks.
 - (3) All dimensions are in mm.
 - (4) choose suitable scale.

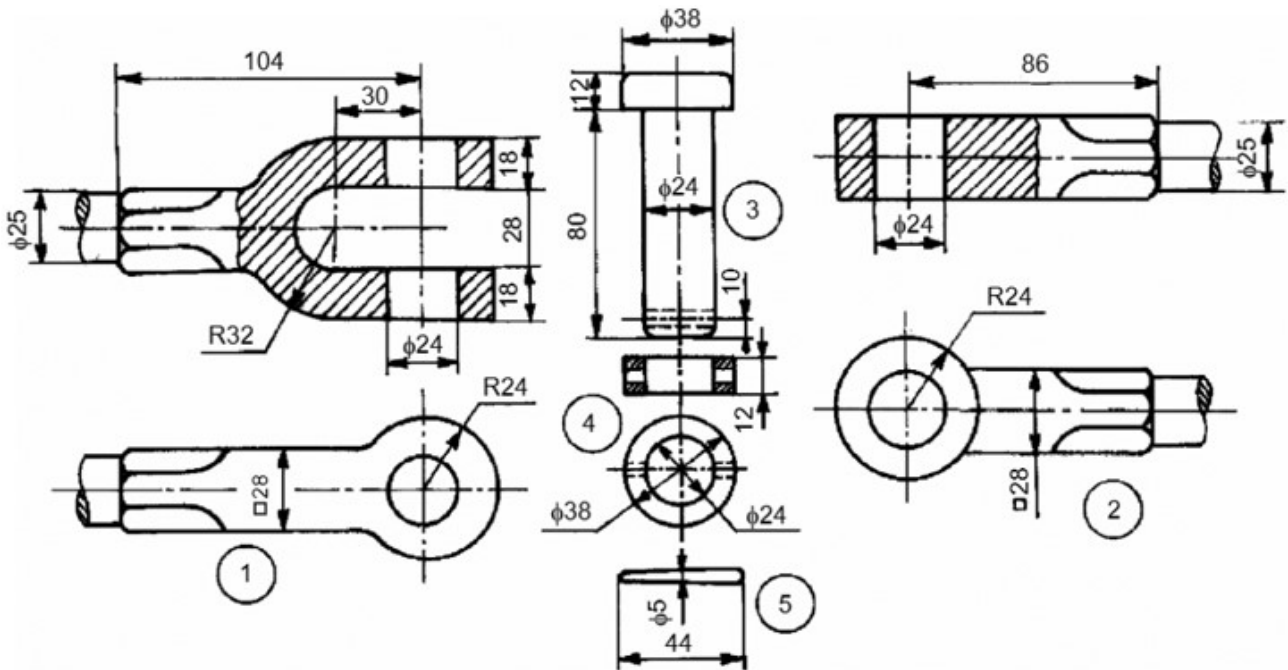
5. Assemble the parts of the socket and spigot joint shown in figure and draw following views : 20+15+5
- (a) Half sectional front view
 - (b) Side view
 - (c) Dimensioning



Parts list

No.	Name	Matl	Qty
1	Socket end	MS	1
2	Spigot end	MS	1
3	Cotter	HCS	1

6. Assemble the parts of a Knuckle joint and draw the (a) sectional front view and (b) top view
20+15+5 (dimensioning)



Parts List

No.	Name	Matt	Qty.
1	Fork end	F S	1
2	Eye end	F S	1
3	Pin	M S	1
4	Collar	M S	1
5	Taper pin	M S	1

★ ★ ★