

6451

BOARD DIPLOMA EXAMINATION, (C-16)

JUNE-2019

DME- FOURTH SEMESTER EXAMINATION

PRODUCTION DRAWING

TIME: 3 Hours

Max.Marks:60

PART-A

4X5=20M

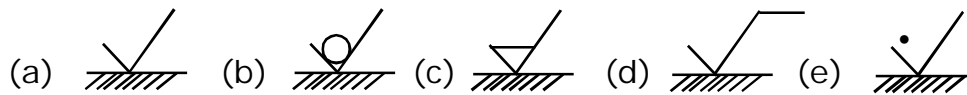
- Instructions:** 1) Answer ALL question carries five marks
 2) Draw the following neatly with proportionate dimensions
 3) Use of production drawing tables is allowed

1) Calculate the values of the maximum and minimum limits for both shaft and holw 180 H7/n6, using the tables for tolerances and indicate the type of fit obtained

2) Draw the tolerance character symbols for the following:

- (a) Roundness (b) Profile of any line (c) Symmetry (d) Squareness
 (e) parallelism

3) Write the meaning for the following roughness symbols:



4) Write the meaning of following symbols/ specifications

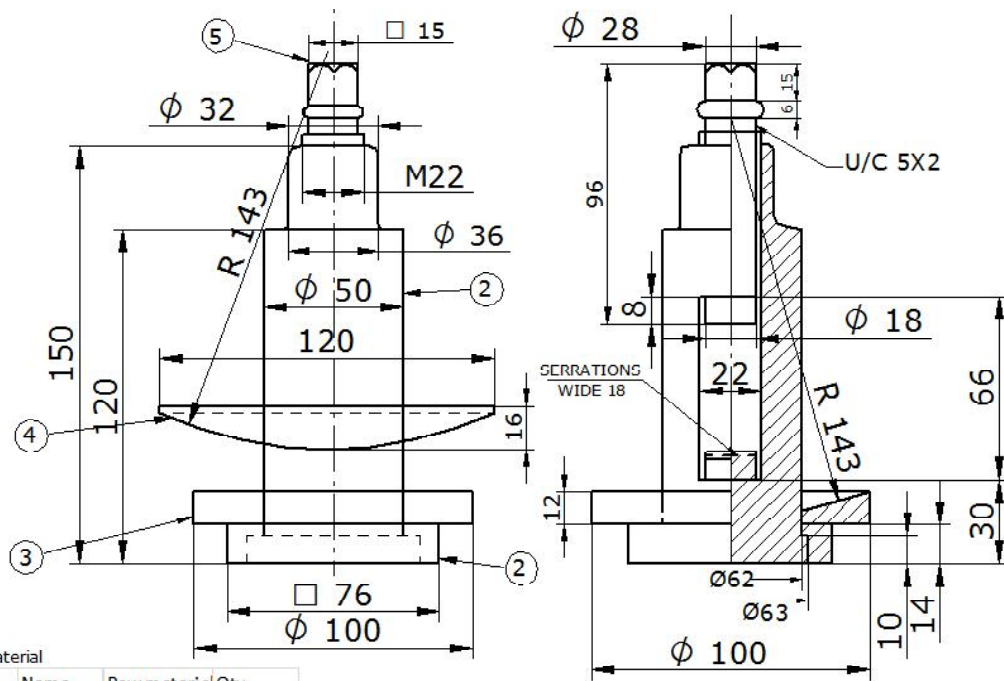
- (a) Fe 510B (b) 45C10G
 (c) Slotted cheese head screw AM10 x 30, .Is: 1366-4.8
 (d) Hex. Fit bolt M 20 x 70, IS : 3640 - S-8.8
 (e) Castel nut M20, IS : 2232 - B - 4

* **PART-B**

40M

Instructions : 1) Answer any one of the following questions
2) Each question carries **forty** marks

- 5) Study the given assembly drawing of single Tool post shown in fig and
- (a) Draw the part drawings for PILLAR and BLOCK
 - (b) Select suitable fits and tolerances.
 - (c) Prepare the process sheet for Block made of MCS
 - (d) Indicate the surface roughness symbols, and Geometrical Tolerance symbols
 - (e) List out the materials and quantity of the components.



Bill of material

Part No	Name	Raw material Qty
1	Pillar	
2	Block	
3	Ring	
4	Wedge	
5	Screw	

Note: All dimensions are in 'mm'

- 6) Study the given assembly drawing of Non return valve shown in fig and
- Draw the part drawings for BODY and COVER
 - Select suitable fits and tolerances
 - Prepare the process sheet for Valve made of Gm
 - Indicate the surface roughness symbols, Geometrical Tolerance symbols
 - List out the materials and quantity of the components.

