

I B. Tech I Semester Supplementary Examinations, April/May - 2017
ENGINEERING DRAWING
 (Com. to ECE, EIE, E.Com.E)

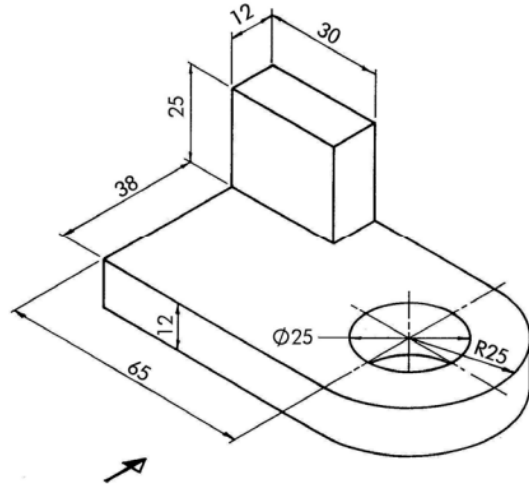
Time: 3 hours

Max. Marks: 70

- Note: 1. Question Paper consists of two parts (**Part-A** and **Part-B**)
 2. Answering the question in Part-A is Compulsory
 3. Answer any **FOUR** Questions from **Part-B**

PART -A

1. a) Draw hexagon with a side of 40 mm. (4M)
- b) Draw three views of the following component in first angle projection. Take all dimensions are in mm. (10M)



PART -B

2. a) A cricket ball thrown from the ground level reaches the wicketkeeper's gloves. Maximum height reached by the ball is 5 m. The ball travels a horizontal distance of 11 m from the point of projection. Trace the path of the ball. (8M)
- b) Draw an octagon given the length of side 25mm. (6M)
3. a) Construct a diagonal scale 1/50, showing metres, decimetres and centimetres, to measure upto 5 metres. Mark a length 4.75 m on it. (6M)
- b) A line CD 75 mm long is parallel to VP. And perpendicular to HP. End C is 35 mm above HP. And 20 mm in front of VP. End D is above HP. Draw the projections of the line CD and find its traces. (8M)
4. A straight line AB of 75 mm long, has the end A on V.P and the end B on H.P. (14M)
 The line is inclined at 30° to V.P and its front view makes an angle of 45° with xy. Draw the projections of the line and add the left side view and locate the traces.



