

6020
BOARD DIPLOMA EXAMINATION
MARCH/APRIL - 2019
 * **DIPLOMA IN CIVIL ENGINEERING**
ENGINEERING DRAWING
FIRST YEAR EXAMINATION

Time: 3 Hours

Total Marks: 60

PART - A **(5m x 4 = 20m)**

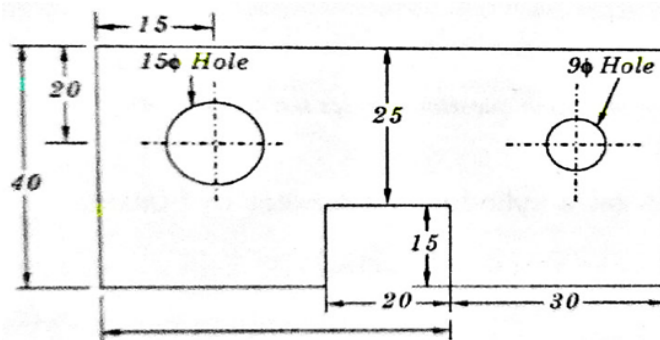
Note 1: Answer all questions and each question carries five marks.

2: All dimensions are in mm.

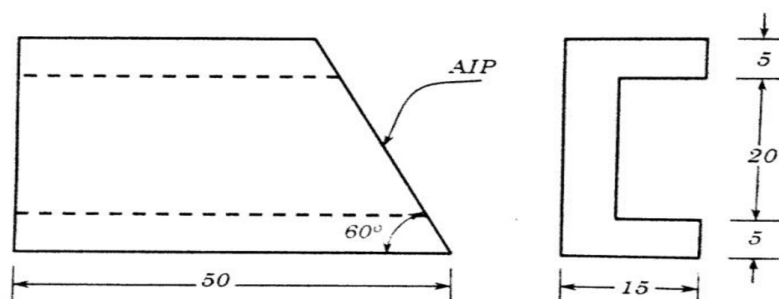
1. Print the following in single stroke vertical lettering of 10mm size.,

“STRENGTHEN THE MORAL VALUES”

2. Redraw the following figure and dimension it by aligned system.



3. A stone is thrown from the ground level. It reaches a height of 50 meters and falls on the ground at a distance of 100 meters from the point of projection. Draw the path of the stone. (Assume suitable scale)
4. Draw the auxiliary end view, for the views shown in Fig



PART - B **(10m x 4 = 40m)**

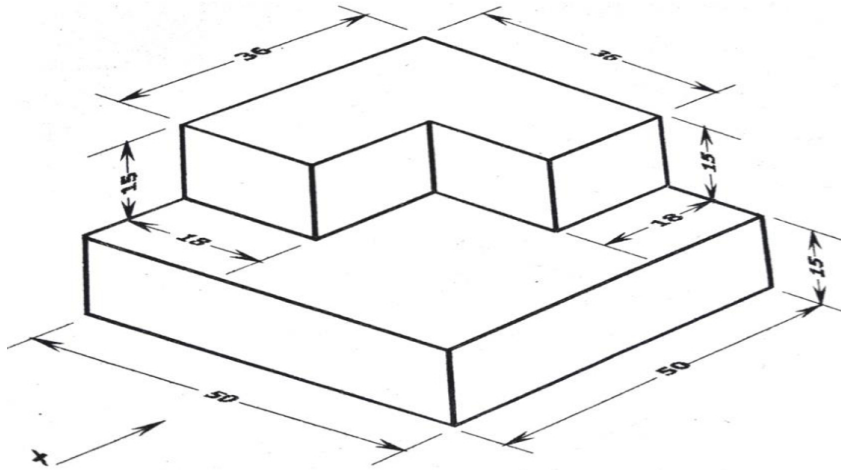
Note 1: Answer any four questions and each question carries ten marks.

2: All dimensions are in mm.

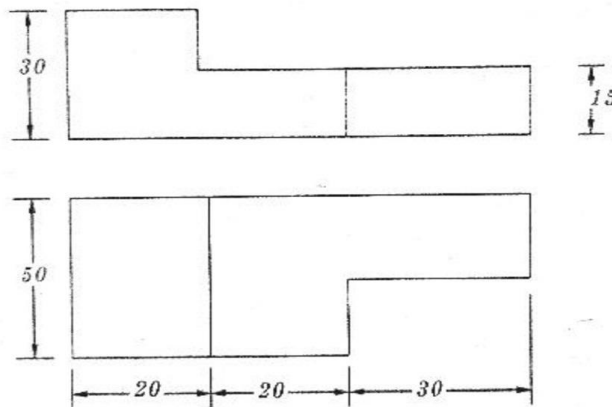
5. Draw the cycloid for a circle of 50 mm diameter for one complete revolution

www.manareresults.co.in

6. A circular Plane of diameter 60mm is touching the VP with a point on its circumference. The Plane is inclined at 45° to VP and perpendicular to HP. The centre of the Plane is 40mm above HP. draw its projections
7. A square pyramid with side of the base 30mm and axis 60mm long, is resting with its base on HP with one of its base edge parallel to VP. It is cut by a cutting plane which is at 30° to HP and perpendicular to VP and cuts the axis at height of 25mm from the base. Draw sectional front view and top view and true shape of section
8. Draw front, top and right side views of the given object in Fig



9. The front view and top view of an object are shown below. Draw its isometric view



10. Draw the development of the funnel whose elevation is shown below

