



C16-EE-CHPP-107

6038

BOARD DIPLOMA EXAMINATION, (C-16)

MARCH/APRIL—2018

DEEE—THIRD YEAR EXAMINATION

ENGINEERING DRAWING

Time : 3 hours ]

[ Total Marks : 60

PART—A

5×4=20

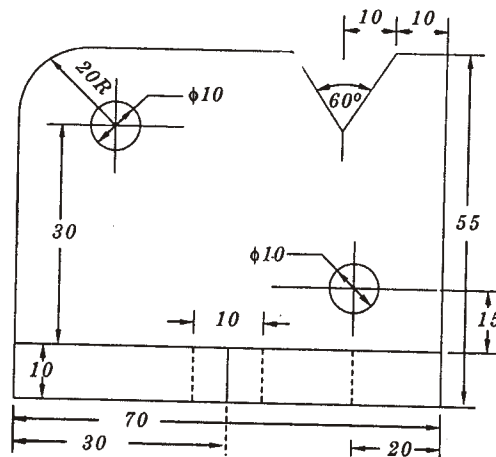
**Instructions** : (1) Answer **all** questions.

(2) Each question carries **five** marks.

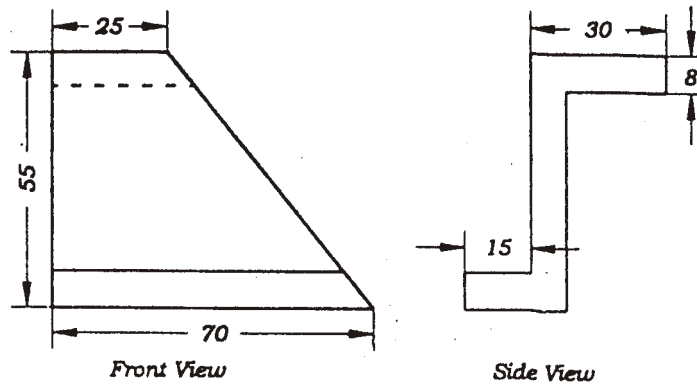
1. Print the following in single-stroke inclined lettering of 10 mm size in capital letters :

“STRENGTHEN THE MORAL VALUES”

2. Redraw the following figure in progressive dimensioning.



3. Inscribe a regular pentagon in a circle of 60 mm diameter.
4. Draw the auxiliary view for the views shown below :

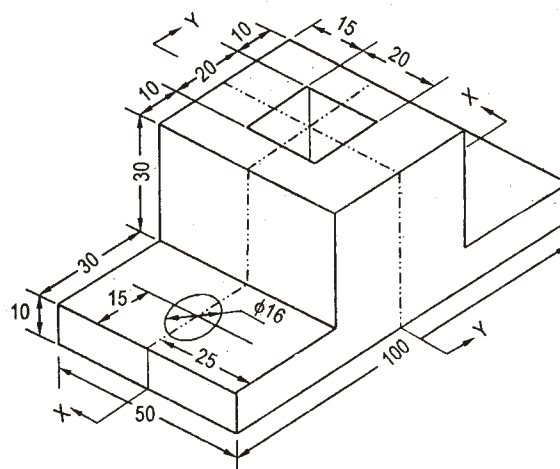


**PART—B**

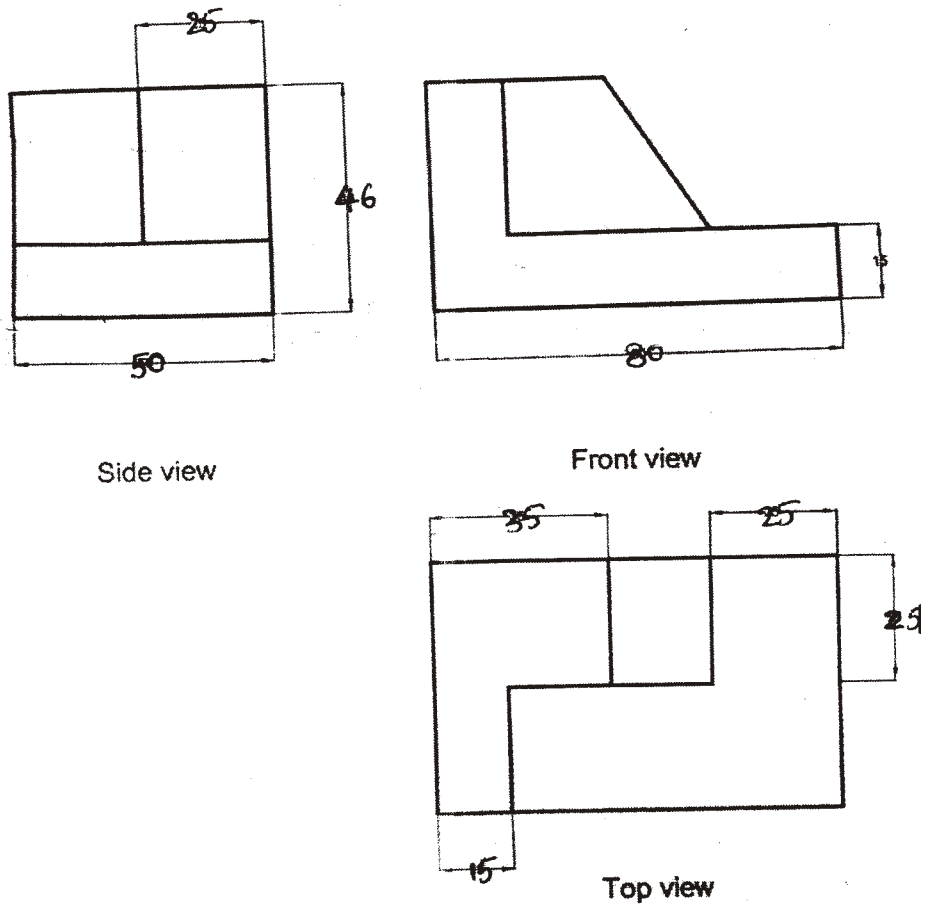
10×4=40

**Instructions :** (1) Answer *any four* questions.  
 (2) Each question carries **ten** marks.

5. Draw a helix of pitch 60 mm on a cylinder of diameter of 50 mm.
6. Draw the projections of a circle of 40 mm diameter having its plane vertical and inclined at 30° to VP. The centre of circle is 35 mm above HP and 25 mm in front of VP.
7. Draw the sectional front view, sectional end view, top view of the blocks as shown in figure, viewing it in the directions of X, Y, Z respectively.



8. A hexagonal pyramid of base side 30 mm and height 75 mm is resting on the ground with its axis vertical. It is cut by a plane inclined at  $30^\circ$  to the HP. And passing through a point on the axis at 20 mm from the vertex. Draw the sectional view, top view, and true shape.
9. Draw the isometric view of the object, whose orthographic views are shown in figure below :



10. A cylinder of diameter of base 40 mm and height 50 mm is standing on its base on HP. A cutting plane inclined at  $45^\circ$  to the axis of the cylinder, passes through the left extreme point of the top base. Develop the lateral surface of the truncated cylinder.

\*\*\*