



C16-EE-107/C16-CHPP-107

6038

BOARD DIPLOMA EXAMINATION, (C-16)

OCT/NOV—2017

DEEE—FIRST YEAR EXAMINATION

ENGINEERING DRAWING

Time : 3 hours]

[Total Marks : 60

PART—A

5×4=20

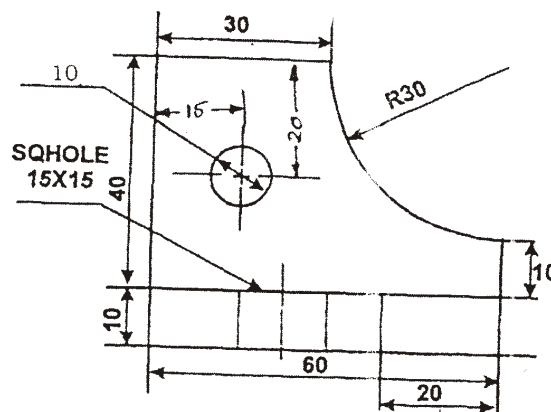
Instructions : (1) Answer **all** questions.

(2) Each question carries **five** marks.

1. Write free-hand single-stroke inclined capital letters of 100 mm height :

“Drawing is easy with practice”

2. Redraw the figure to full scale and dimension by using aligned dimensioning :



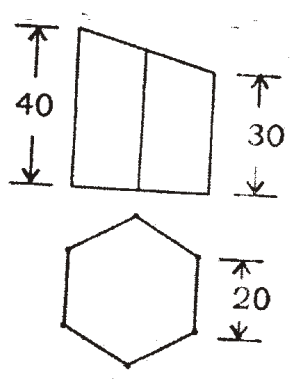
3. Draw an internal common tangent to two circles of radii 30 mm and 20 mm.

/6038

1

[Contd...

4. Draw the auxiliary view of the inclined portion of the object as shown in the figure :

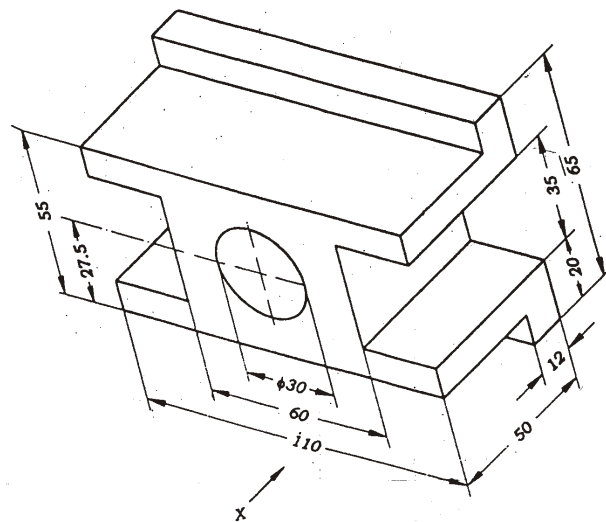


PART—B

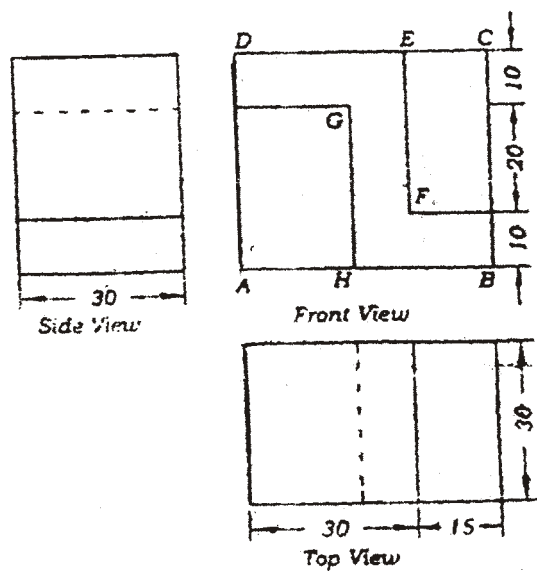
10×4=40

- Instructions :** (1) Answer *any four* questions.
 (2) Each question carries **ten** marks.

5. Draw involute to a circle of radius 20 mm.
6. A cone, with base 30 mm diameter and axis 45 mm long, lies on a point of its base on VP such that the axis makes an angle 45° with VP. Draw the projections of the cone.
7. Draw front view, top view and side view of the object as shown below :



8. A right circular cylinder of diameter 60 mm and height 75 mm rests on its base such that its axis is inclined at 45° to HP, and parallel to VP. A cutting plane parallel to HP and perpendicular to VP cuts the axis at a distance of 50 mm from the bottom face. Draw the front view and sectional view.
9. Draw the isometric view of the model of steps whose orthographic projections are given to full scale :



10. Draw the development of lateral surface of a square pyramid which is standing on HP with one of its base edges is parallel to VP. The base of square is 25 mm side and the height of the axis is 40 mm.
