



C16-EE-107/C16-CHPP-107

6038

BOARD DIPLOMA EXAMINATION, (C-16)

OCT/NOV—2018

DEEE—FIRST YEAR EXAMINATION

ENGINEERING DRAWING

Time : 3 hours]

[Total Marks : 60

PART—A

5×4=20

Instructions : (1) Answer **all** questions.

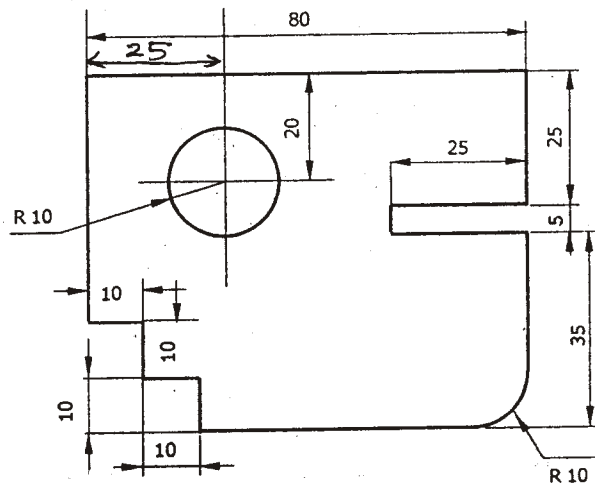
(2) Each question carries **five** marks.

(3) All dimensions are in mm.

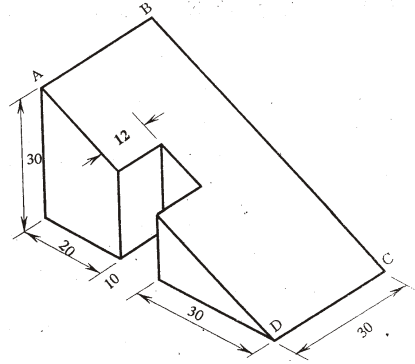
1. Write the following using single-stroke capital upright letters of 10 mm size :

“DEPARTMENT OF TECHNICAL EDUCATION”

2. Redraw the following figure and dimension in unidirectional system as per SP : 46-1988 :



3. Draw an arc of 30 mm radius tangentially to two circles of radii 20 mm and 15 mm.
4. Draw the auxiliary view of the inclined surface for the view given in the figure below :



PART—B

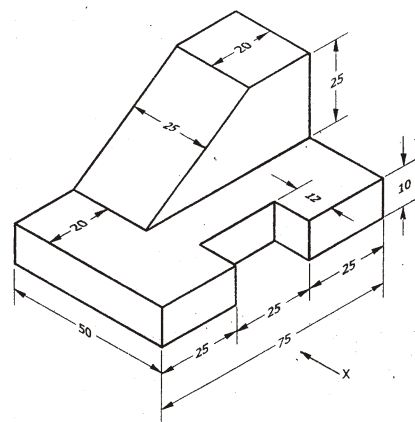
10×4=40

Instructions : (1) Answer *any four* questions.

(2) Each question carries **ten** marks.

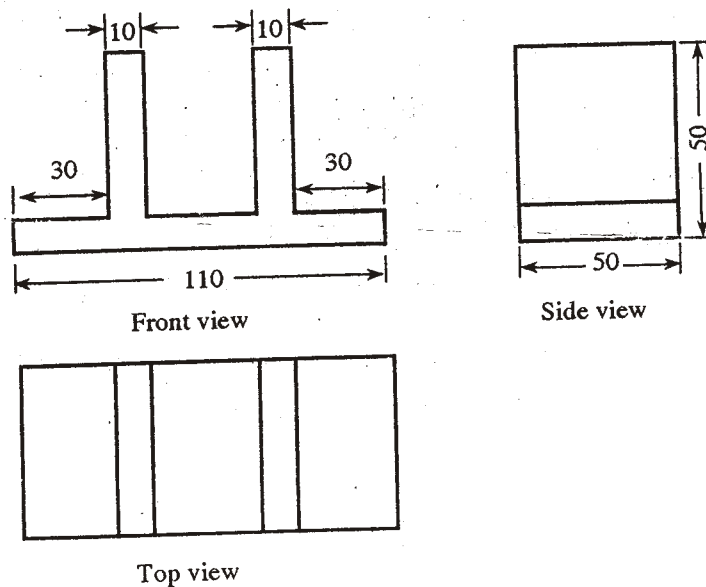
(3) All dimensions are in mm.

5. Draw an involute on a square of side 20 mm and also draw a normal and tangent at a distance of 60 mm from the centre.
6. A hexagonal pyramid of base 25 mm and height 50 mm lies with one of its triangular faces on the HP and its axis parallel to VP. Draw its projections.
7. An isometric view of an object is given below :



Draw its front view, top view and left side view.

8. A cone of diameter 60 mm and height 70 mm is resting on ground on its base. It is cut by a section plane perpendicular to VP inclined at 45° to HP and cutting the axis at a point of 40 mm from the bottom. Draw the front view, sectional top view and true shape.
9. Draw the isometric view of the object for the views given below :



10. A pentagonal pyramid of base side 25 mm and height 50 mm is standing vertically on its base on HP with one of its base edges parallel to VP. A cutting plane perpendicular to VP and inclined at 60° to HP passes through the edge of the top left corner of the prism. Develop the lateral surface of the truncated pyramid.
