



C16-EE/CHPP-107

6038

BOARD DIPLOMA EXAMINATION, (C-16)
OCTOBER—2020
DEEE—FIRST YEAR EXAMINATION
ENGINEERING DRAWING

Time : 3 hours]

[Total Marks : 60

PART—A

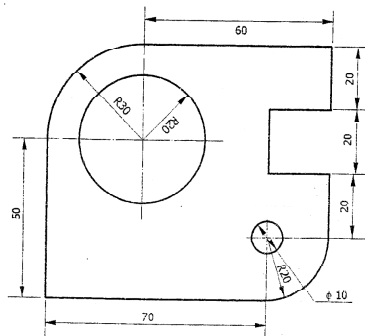
5×4=20

- Instructions :** (1) Answer **all** questions.
(2) Each question carries **five** marks.
(3) All dimensions are in mm.

1. Print the following line in 10 mm size vertical lettering as per SP : 46-1988.

“ALL THE BEST FOR YOUR EXAMINATION”

2. The component and its dimensions are shown in the fig. below. Redraw it to a full scale adopting the recommendations of SP : 46-1988.

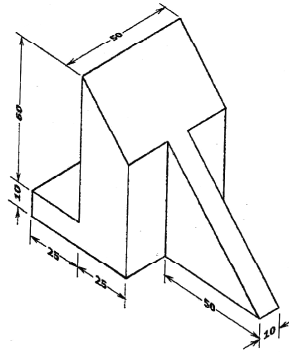


/6038

1

[Contd....

3. Divide a line ^{*} 90 mm long into 10 equal parts.
4. Draw the auxiliary view of the inclined surface of the object given below.



PART—B

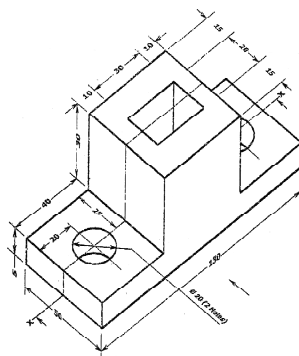
10×4=40

Instructions : (1) Answer *any four* questions.

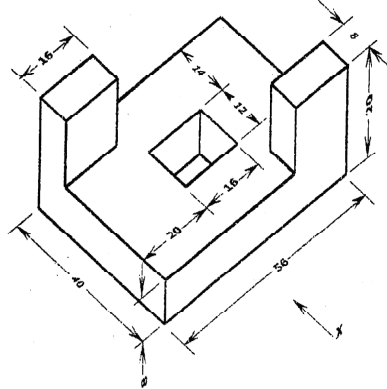
(2) Each question carries **ten** marks.

(3) All dimensions are in mm

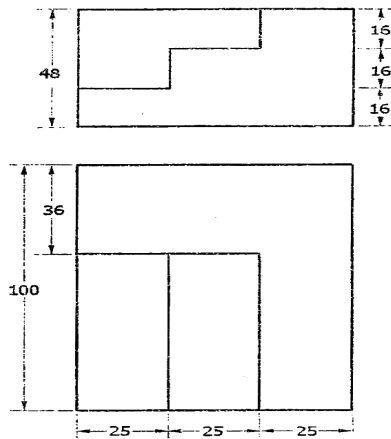
5. Construct an ellipse with major and minor axes 90 mm and 60 mm by concentric circles method.
6. A cylinder of base 30 mm diameter and axis 50 mm long is resting with its base on H.P. and axis 25 mm is in front of V.P. Draw the projections.
7. Draw the sectional front view and top view for the object given below.



8. Draw orthographic views of front view and top view of the given isometric figure below.



9. Draw isometric view of the steps from the Orthographic projections given below.



10. Develop the lateral surface of a pentagonal pyramid of base side 25 mm and height 60 mm.

★ ★ ★