

7031

BOARD DIPLOMA EXAMINATION, (C-20)

MAY—2023

DECE - FIRST YEAR EXAMINATION

ENGINEERING DRAWING

Time : 3 Hours]

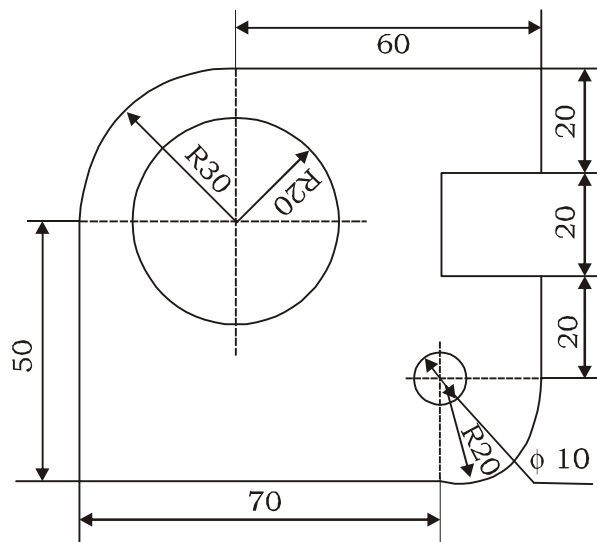
[Total Marks : 60

PART—A

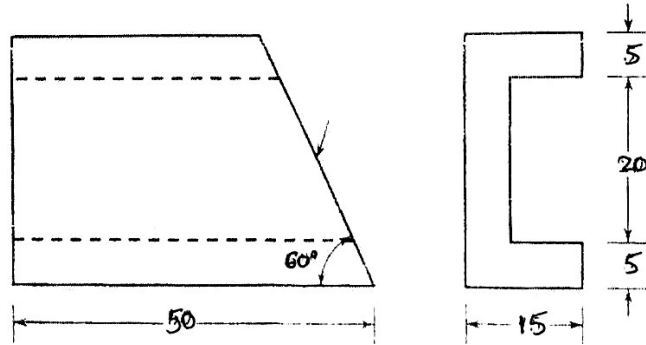
5×4=20

- Instructions :** (1) Answer **all** questions.
 (2) Each question carries **five** marks.
 (3) All dimensions are in mm.

- Print the following in single-stroke vertical lettering of 10 mm size in capital letters :
 “TECHNICAL EDUCATION”
- Redraw the following figure to full scale by correcting the errors in dimensioning as per SP-46 : 1988 :



3. Construct, a regular pentagon of 25 mm side.
4. Draw the auxiliary view of the inclined surface of the given views :

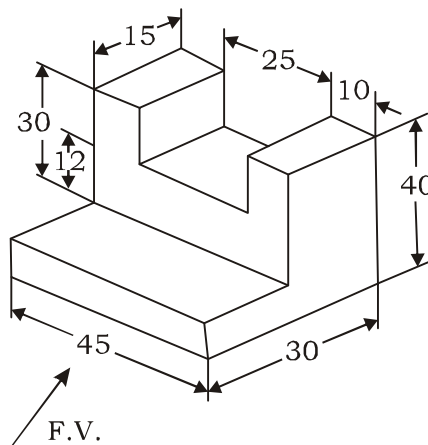


PART—B

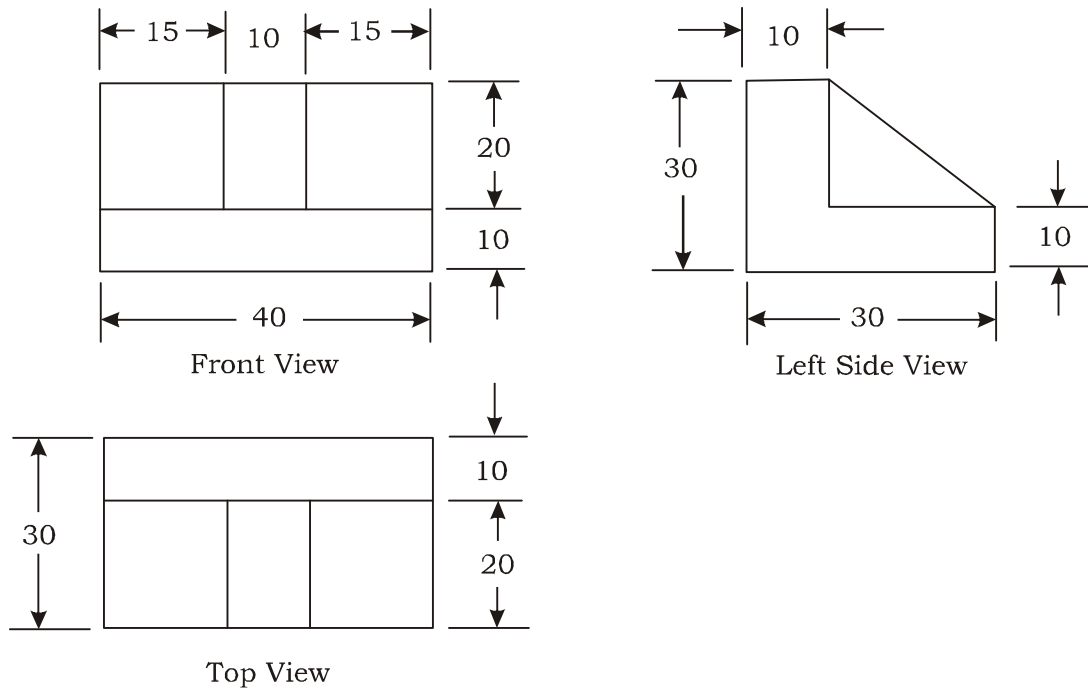
10×4=40

- Instructions :**
- (1) Answer *any four* questions.
 - (2) Each question carries **ten** marks.
 - (3) All dimensions are in mm.

5. Construct a helix of pitch 60 mm on a cylinder of diameter of 50 mm.
6. A hexagonal prism of side 20 mm and height 60 mm lies with one of its rectangular faces on H.P. such that its axis is parallel to both H.P. and V.P. Draw its projections.
7. A square prism of base side of 30 mm and height 60 mm is resting on H.P. on one of its bases, with a base inclined at 30° to V.P. It is cut by a plane inclined at 45° to H.P. and perpendicular to V.P. and is bisecting the axis of the prism. Draw the front view, sectional top view and true shape of section.
8. Draw the front view, top view and side view of the object shown below :



9. Draw an isometric view of an object whose orthographic views are given in the following figure :



10. Draw the development of lateral surface of a pentagonal pyramid which is standing on H.P. with one of its base edges parallel to V.P. The base of the pyramid is 25 mm, side and the height of the axis is 60 mm.

★★★