



C20-M-307

7262

BOARD DIPLOMA EXAMINATION, (C-20)

OCTOBER/NOVEMBER—2023

DME – THIRD SEMESTER EXAMINATION

MACHINE DRAWING

Time : 3 Hours]

[Total Marks : 60

PART—A

5×4=20

Instructions : (1) Answer **all** questions.

(2) Each question carries **five** marks.

(3) All dimensions are given in mm.

1. Draw front view of following nuts with standard proportions :

(a) Dome nut 2½

(b) Wing nut 2½

2. Draw front view and top view of single riveted lap joint for joining plates of thickness 9 mm. Take standard proportions. 2+3=5

3. Draw the following weld symbols : 1×5=5

(a) Single V-butt weld

(b) Plug weld

(c) Concave fillet weld

(d) Backing weld

(e) Single bevel butt weld

4. Draw the following pipe fitting symbols : 1×5=5

(a) Globe valve

(b) 90° Elbow

(c) Check valve

(d) Lateral

(e) Cross

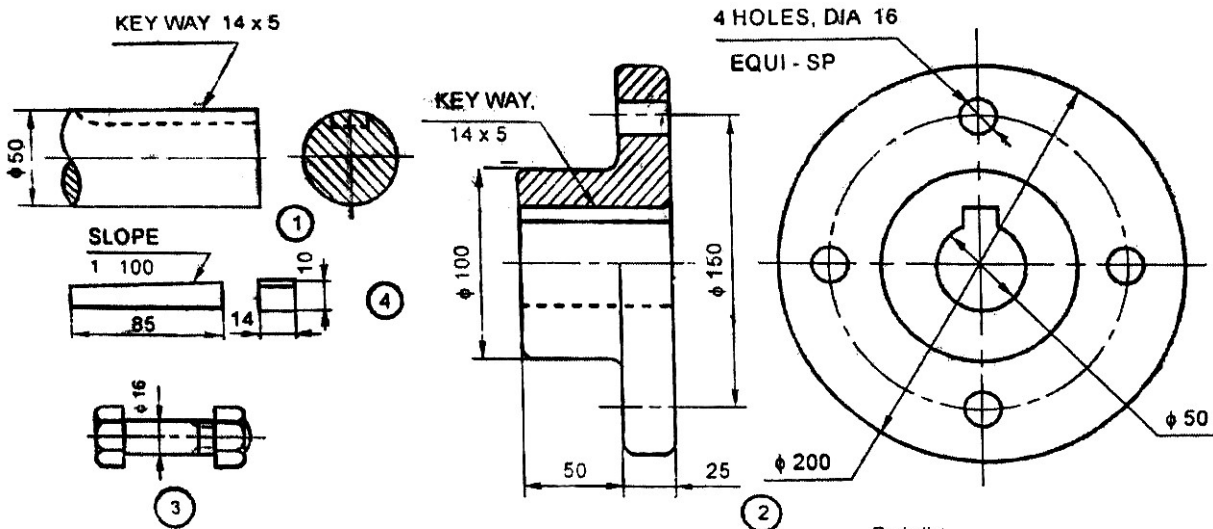
PART—B

40×1=40

- Instructions :**
- (1) Answer *any one* questions.
 - (2) Each question carries **forty** marks.
 - (3) All dimensions are given in mm and choose suitable scale.
 - (4) Assume missing dimensions suitably.

5. Assemble the parts of Flanged coupling by using the part drawing given in the figure below (page-2) and Draw the following :

- (a) Half sectional front view 20
- (b) Side view 15
- (c) Dimensioning 5



FLANGED COUPLING

Parts list

No.	Name	Matl	Qty
1	Shaft	MS	2
2	Flange	CI	2
3	Bolt with nut	MS	4
4	Key	MS	2

②

6. Assemble the parts of Stuffing box by using the part drawing given in the figure below (page-3) and draw the following :

(a) Full sectional front view

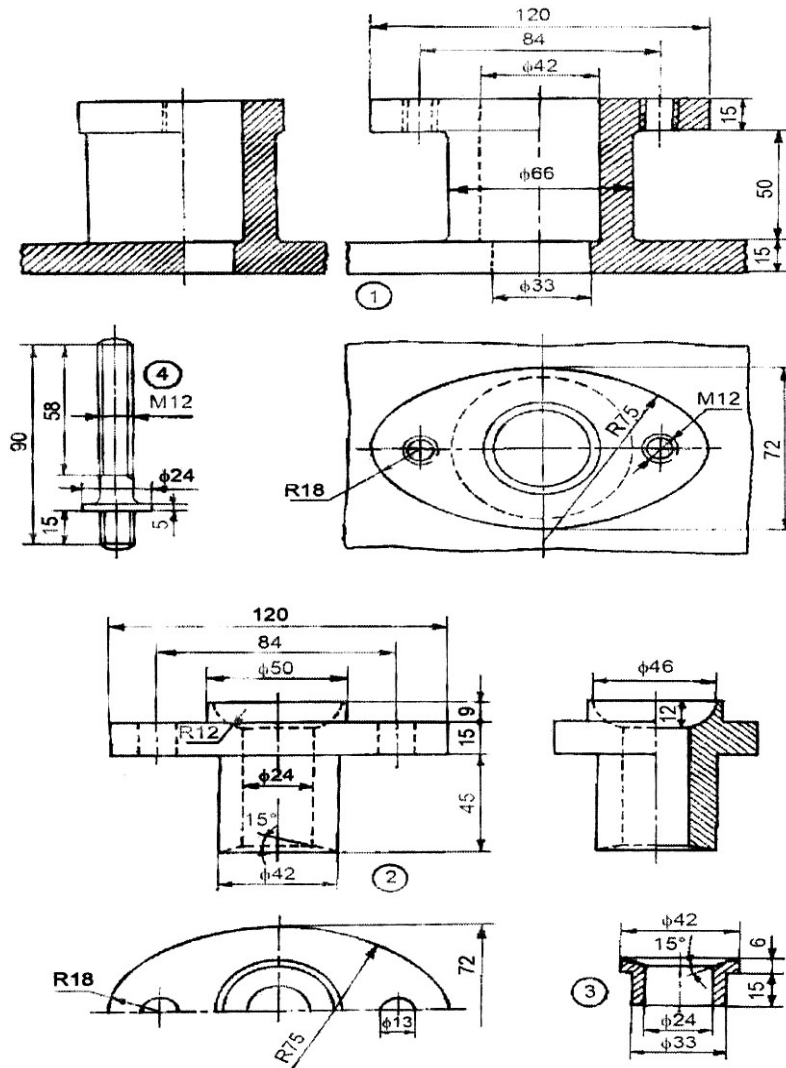
20

(b) Top view

15

(c) Dimensioning

5



Parts list

Part No.	Name	Matl	Qty
1	Body	CI	1
2	Gland	Brass	1
3	Bush	Brass	1
4	Stud	MS	2
5	Nut, M12	MS	2

Stuffing box

★★★